



# GERBER

## 42-213 Series Maxwell®

### Two Handle Kitchen Faucet



#### Features:

- 3 or 4 hole installation
- Ceramic disc cartridges G0086986 & G0086987
- Includes side spray or less spray
- 1.75 gpm (6.6 L/min) max Aeration / 2.2 gpm (8.3L/min) max Spray @ 60psi
- Chrome or stainless steel finish
- Lead free waterway per NSF/ANSI 372
- Fully ADA compliant
- Limited lifetime warranty
- Meets CEC requirements

#### Standards & Certifications:

- ASME A112.18.1
- NSF/ANSI 372
- IAPMO/cUPC
- ICC/ANSI A117.1
- Mass Code

#### Catalog Numbers:

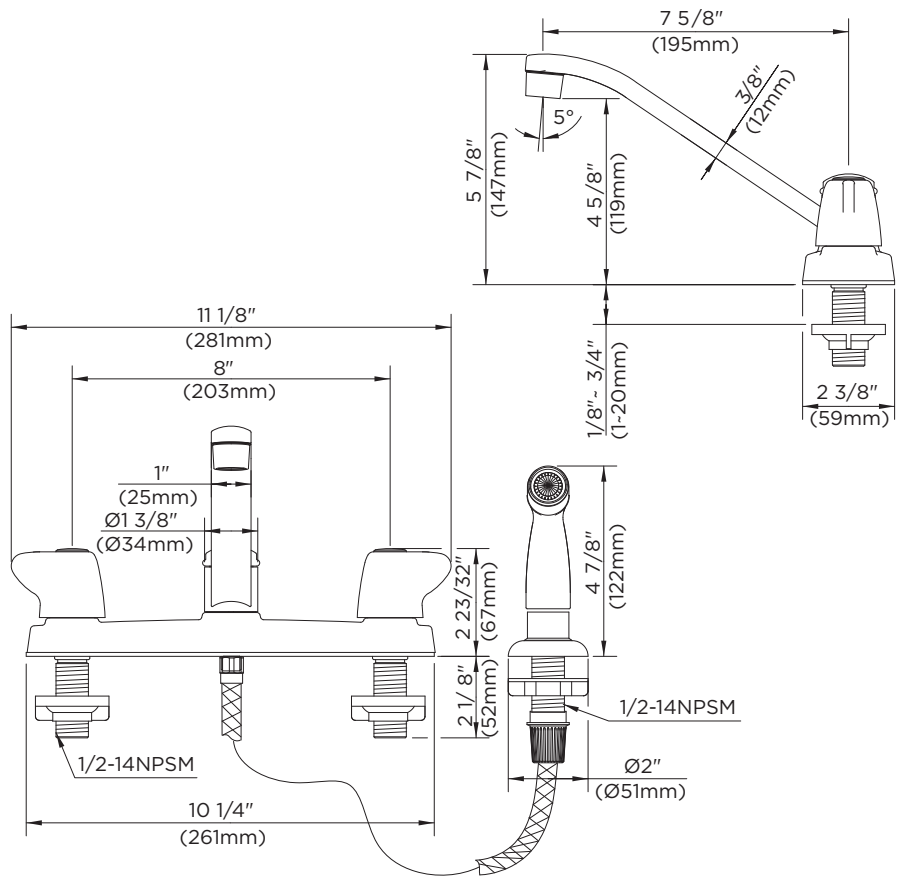
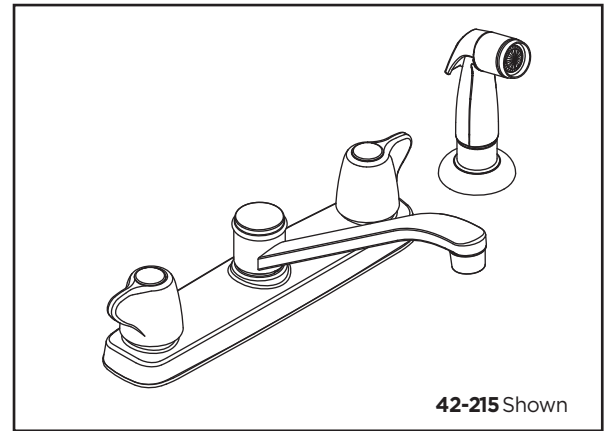
- 42-213** Less Spray, Chrome
- 42-215** With Spray, Chrome

#### Prefixes Available:

None

#### Suffixes Available:

SS Stainless Steel



Job Name	
Date	
Model Specified	
Quantity	
Customer	
Contractor	
Architect/engineer	

Gerber Toll Free Technical Support: 888-648-6466  
www.gerberonline.com