

Features:

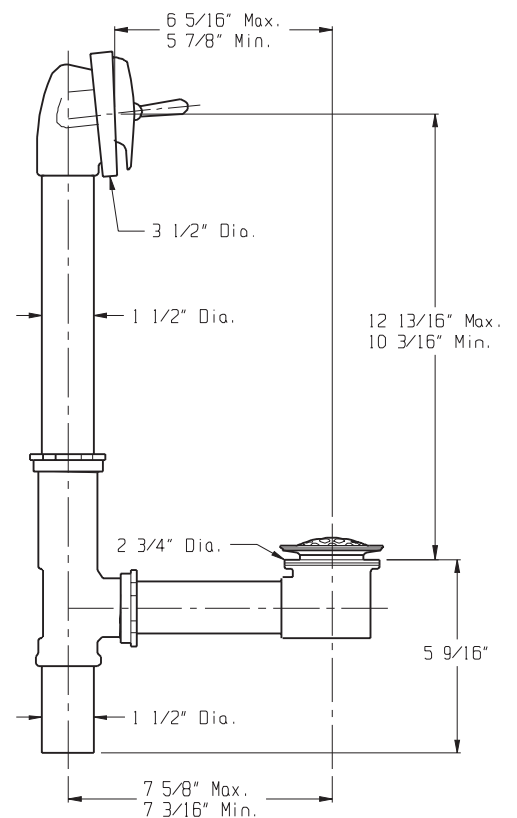
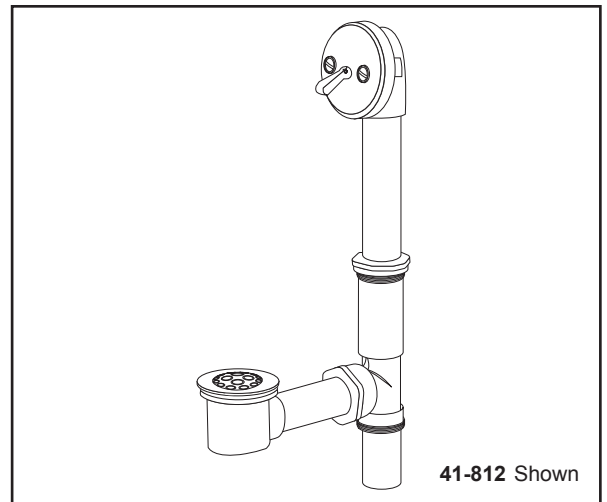
- Fits most tubs 14" to 16" high
- 1-1/2" brass tubing in 17 and 20 Gauges
- Patented adjustable self-retaining rubber head gasket
- Patented pre-adjustable linkage
- Heavy duty cast red brass head, tee and shoe
- Cast brass shoe plug
- Extra long plunger stroke
- Lubricated cast brass plunger
- Chrome plated stamped brass domed strainer
- Heavy duty, highly polished face plate
- Cast red brass coupling nuts supplied with 17 Gauge Tubing
- Plated zinc coupling nuts supplied with 20 Gauge tubing
- Partially assembled in carton
- Compartmentalized packaging
- Available in Chrome, Polished Brass, White, Biscuit and Brushed Nickel

Catalog Numbers:

- 41-812 17 Gauge (Chrome) A1-821 17 Gauge (Biscuit)
 41-818 20 Gauge (Chrome) N1-812 17 Gauge (Brushed Nickel)
 81-827 17 Gauge (Polished brass) W1-821 17 Gauge (White)

Suffixes Available:

- 35 2" Longer Shoe Tube (Excluding Pop-Up)
- 36 1/2" Longer Shoe Plug (Trip Lever Only)
- 70 Female Outlet Tee
- 71 Philadelphia Trap (3 Nuts & Washers, Less Tailpiece)
- 72 Condensate Head (3/4" Inlet)
- 75 Brass Ferrules
- 76 Retaining Ring (Compliance w/Chicago Code In Special Finishes)
- 77 6" Tailpiece
- 78 10" Tailpiece
- 79 12" Tailpiece
- 88 "Clean-out Here" on Face Plate
 w/Retaining Ring (Chicago Code Chrome Only)
- 91 Brass Nuts in Place of Brass-Plated Nuts (Std On 17 Ga)



Job Name	
Date	
Model Specified	
Quantity	
Customer	
Contractor	
Architect/engineer	

GERBER®

PROFESSIONAL PERFORMANCE

Gerber Toll Free Technical Support: 888-648-6466
 www.gerberonline.com