

Features:

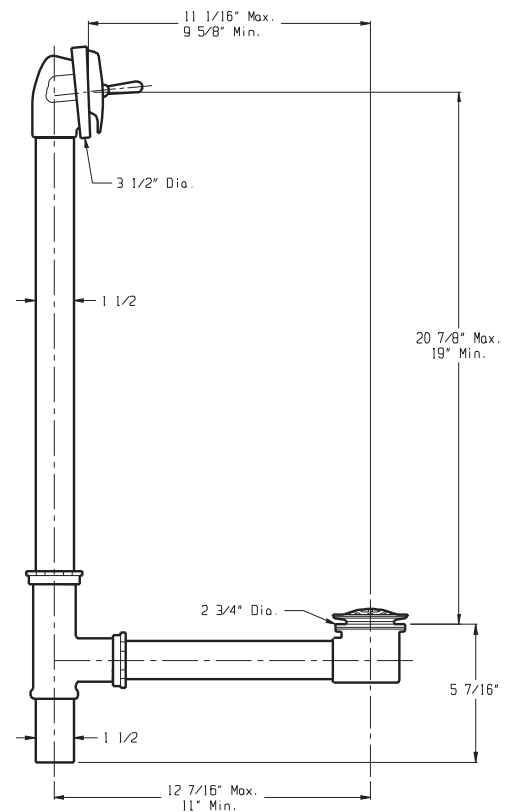
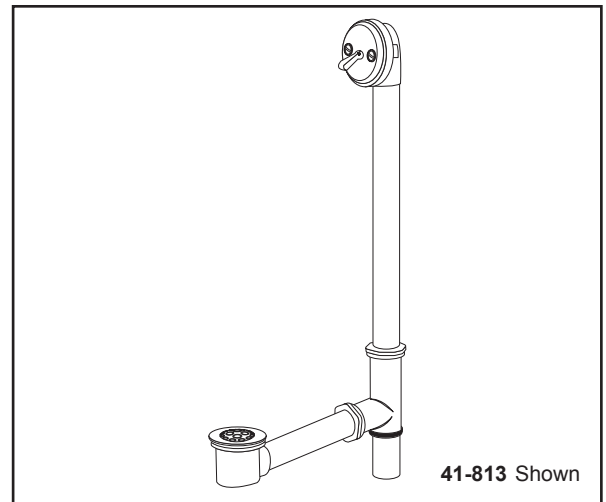
- Fits most tubs to 24" high
- 1 1/2" brass tubing in 17 Gauge
- Patented adjustable self-retaining rubber head gasket
- Patented pre-adjustable linkage
- Heavy duty cast red brass head, tee and shoe
- Cast brass shoe plug
- Extra long plunger stroke
- Lubricated cast brass plunger
- Chrome plated stamped brass domed strainer
- Heavy duty, highly polished face plate
- Cast red brass coupling nuts supplied with 17 Gauge Tubing
- Partially assembled in carton
- Compartmentalized packaging
- Available in Chrome, Polished Brass, White, Biscuit and Brushed Nickel

Catalog Numbers:

- 41-813** 17 Gauge (Chrome)
- 81-867** 17 Gauge (Polished Brass)
- A1-861** 17 Gauge (Biscuit)
- N1-813** 17 Gauge (Brushed Nickel)
- W1-861** 17 Gauge (White)

Suffixes Available:

- 70 Female Outlet Tee
- 71 Philadelphia Trap (3 Nuts & Washers, Less Tailpiece)
- 72 3/4" Condensate Head
- 75 Brass Ferrules
- 76 Retaining Ring (Compliance w/Chicago Code In Special Finishes)
- 77 6" Tailpiece
- 88 "Clean-out Here" on Face Plate w/Retaining Ring (Chicago Code Chrome Only)



Job Name	
Date	
Model Specified	
Quantity	
Customer	
Contractor	
Architect/engineer	

GERBER®

PROFESSIONAL PERFORMANCE

Gerber Toll Free Technical Support: 888-648-6466
www.gerberonline.com