



# GERBER

VITREOUS CHINA  
TOILET  
**21-917**

LAVATORIES

TOILETS

BIDETS / URINALS

CAST IRON



## MAXWELL® 1.28

10" Rough-in

### ErgoHeight™

## 17" High Elongated Toilet

### Features:

- 1.28 gpf/4.8 Lpf high efficiency two-piece toilet
- Elongated ErgoHeight™ bowl
- Dual-fed siphon jet
- Pilot fill valve
- 3" flush valve
- 2" glazed trapway
- Color matched front tank lever (white only)
- Available in White and Biscuit
- 2 Bolt Caps
- ADA Compliant

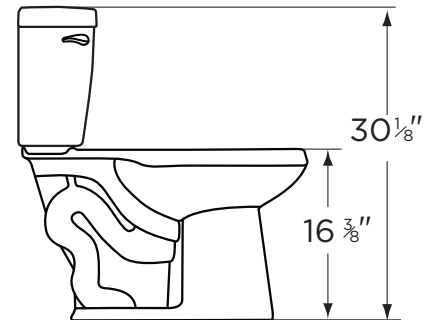
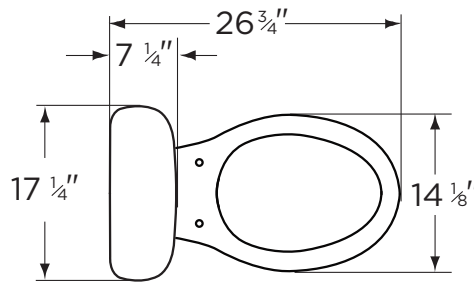


### Dimensions:

- Height ..... 30 1/8"
- Width ..... 17 1/4"
- Depth ..... 26 3/4"
- Rough-in ..... 10"
- Water Surface from Rim ..... 6 1/2"
- Trapway ..... 2"
- Water Surface ..... 8 7/8" x 7 3/8"
- Water Seal ..... 2 1/4"
- Shipping Weight ..... 79 lbs

**Specifications:** Bowl—#21-928 Elongated Bowl  
Seat not included

Tank—#28-995



THIS FIXTURE QUALIFIES ACCORDING TO ASME TEST PROCEDURES AS A HIGH-EFFICIENCY WATER CLOSET WITH AN AVERAGE CONSUMPTION OF 1.28 gpf (4.8 Lpf) OR LESS.

HIGH EFFICIENCY TOILET  
**HET**

[www.gerberonline.com](http://www.gerberonline.com)

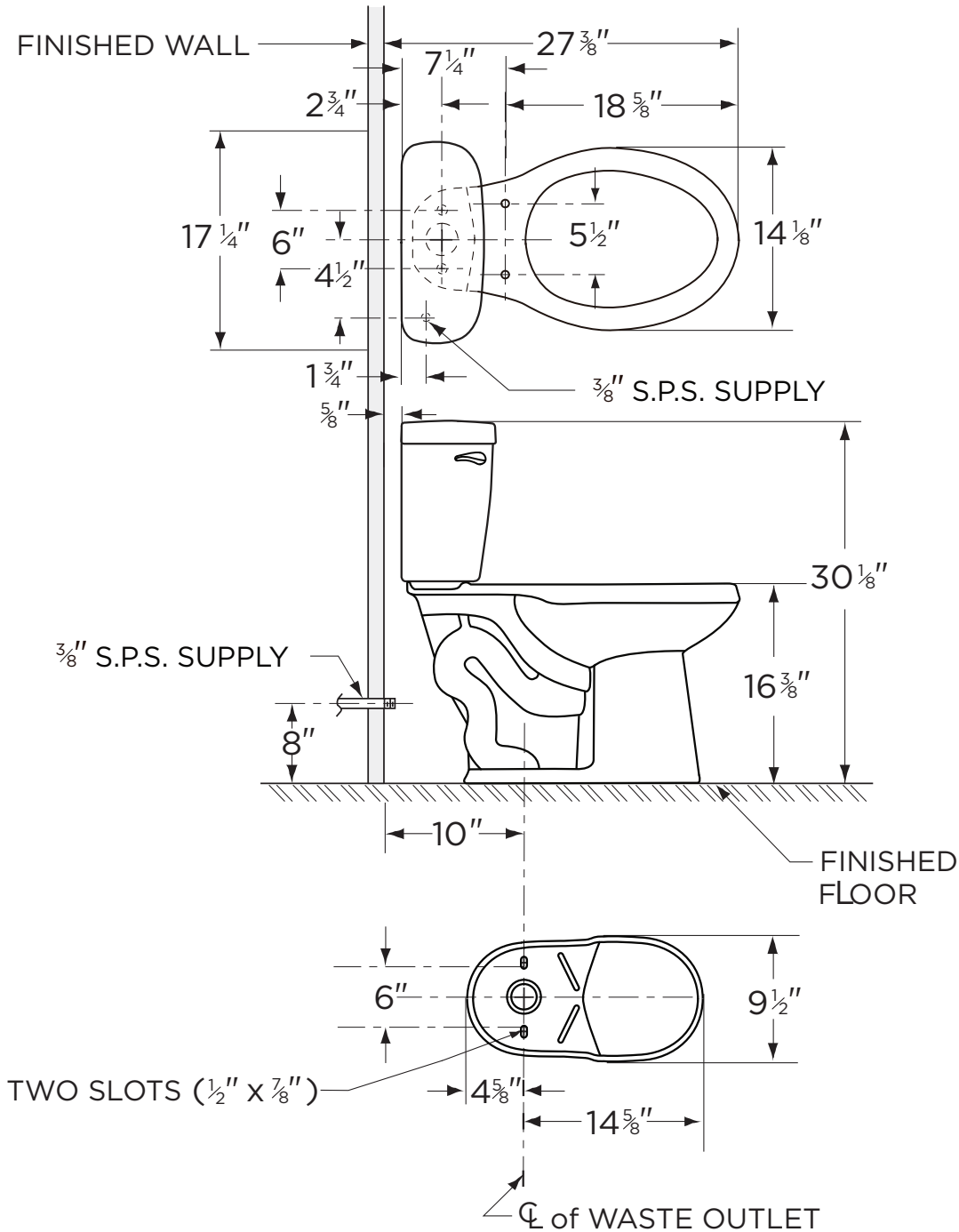
Job Name	
Date	
Model Specified	
Quantity	
Customer	
Contractor	
Architect/engineer	



# GERBER

1.28 gpf (4.8 Lpf) MAXWELL® 1.28 TOILET  
21-917

17" High Elongated, 10" Rough-in  
(Bowl 21-928 with Tank 28-995)



**NOTES:**  
All dimensions are in inches.  
Illustrations may not be drawn to scale.

**IMPORTANT:**  
Dimensions of fixtures are nominal and may vary within the range of tolerances established by ASME Standard A 112.19.2.

THIS FIXTURE QUALIFIES ACCORDING TO ASME TEST PROCEDURES AS A HIGH-EFFICIENCY WATER CLOSET WITH AN AVERAGE CONSUMPTION OF 1.28 gpf (4.8 Lpf) OR LESS.