



# GERBER

## TOILET 21-924

LAVATORIES

TOILETS

BIDETS / URINALS

CAST IRON



### MAXWELL® 1.28

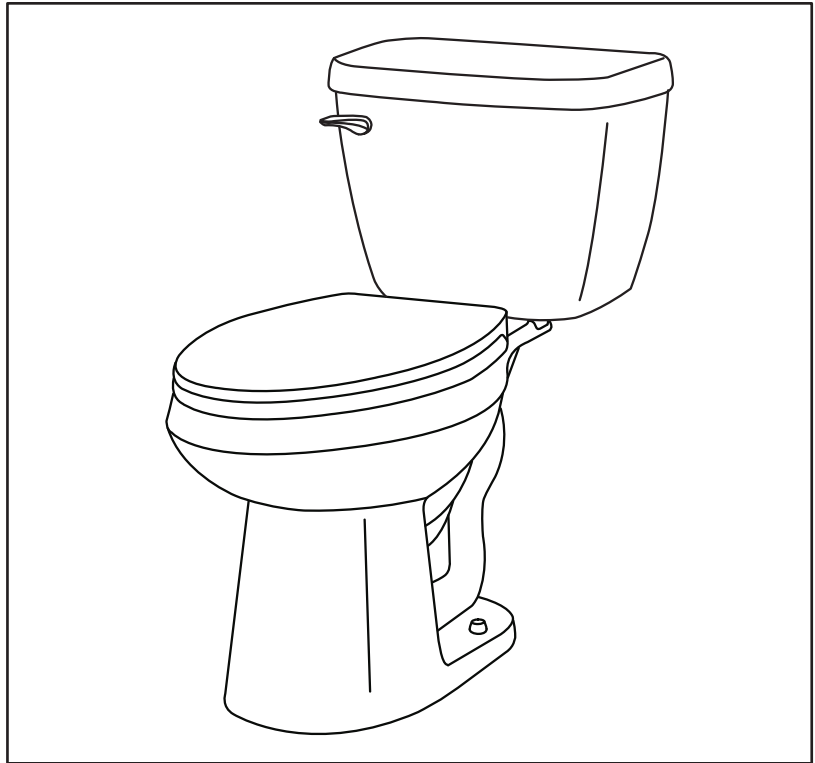
14" Rough-in

### ErgoHeight™

### 17" High Elongated Toilet

#### Features:

- 1.28 gpf/4.8 Lpf high efficiency two-piece toilet
- Elongated ErgoHeight™ bowl
- Dual-fed siphon jet
- Pilot fill valve
- 3" flush valve
- 2" glazed trapway
- Color matched front tank lever
- Available in White
- 2 bolt caps
- ADA Compliant

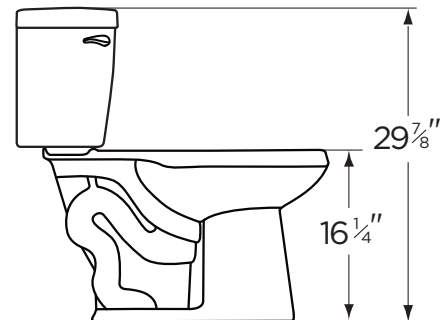
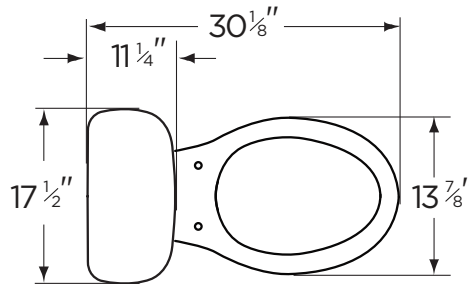


#### Dimensions:

- Height ..... 29 7/8"
- Width ..... 17 1/2"
- Depth ..... 30 1/8"
- Rough-in ..... 14"
- Water Surface from Rim ..... 5 7/8"
- Trapway ..... 2"
- Water Surface ..... 10" x 7 1/4"
- Water Seal ..... 2 1/4"
- Shipping Weight ..... 76 lbs

**Specifications:** Bowl—#21-928 Elongated Bowl  
Seat not included

Tank—#28-994



THIS FIXTURE QUALIFIES ACCORDING TO ASME TEST PROCEDURES AS A HIGH-EFFICIENCY WATER CLOSET WITH AN AVERAGE CONSUMPTION OF 1.28 gpf (4.8 Lpf) OR LESS.

HIGH EFFICIENCY TOILET  
**HET**



[www.gerberonline.com](http://www.gerberonline.com)

Job Name	
Date	
Model Specified	
Quantity	
Customer	
Contractor	
Architect/engineer	



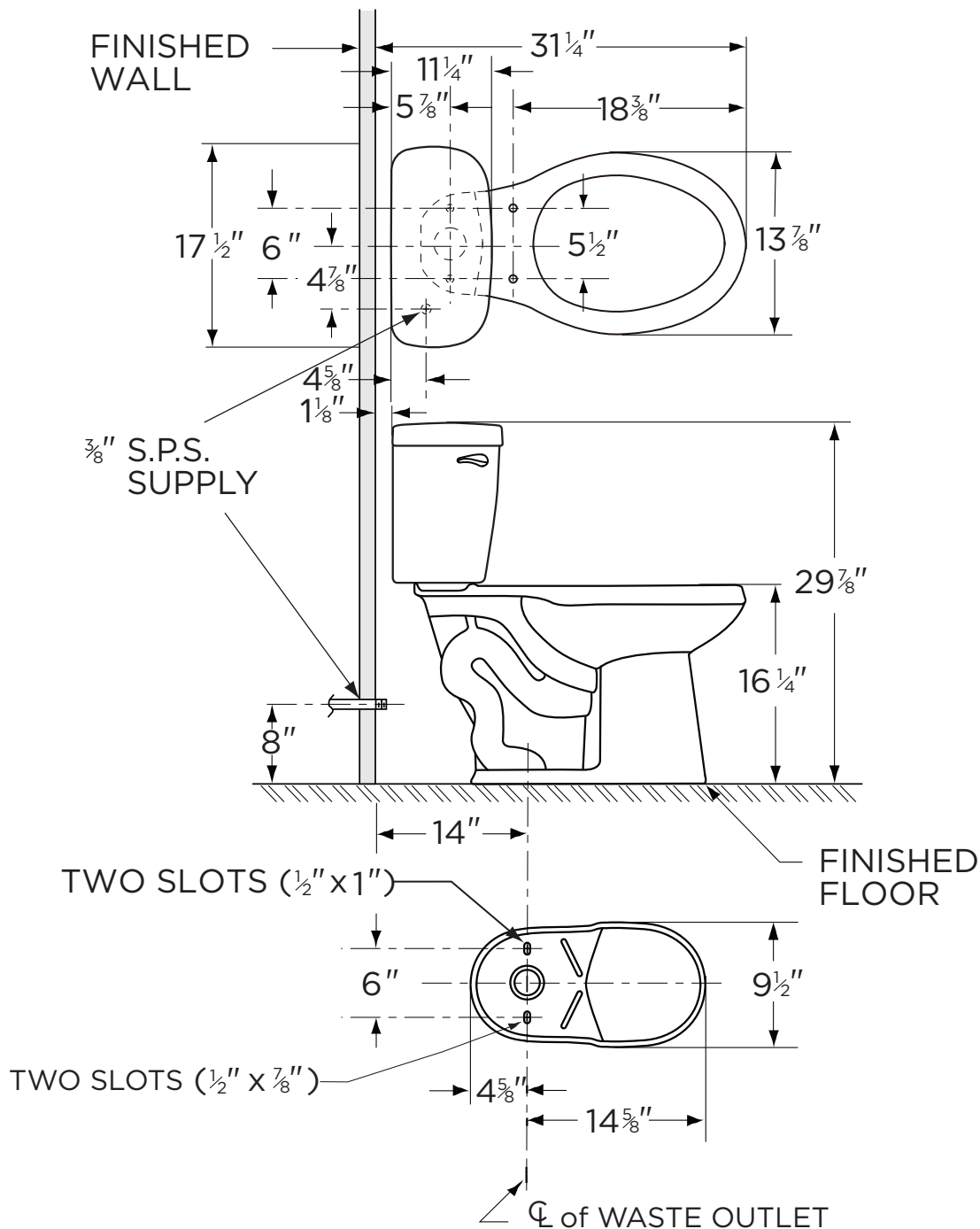
# GERBER

1.28 gpf (4.8 Lpf) MAXWELL® 1.28 TOILET

21-924

17" High Elongated, 14" Rough-in

(Bowl 21-928 with Tank 28-994)



**NOTES:**  
 All dimensions are in inches.  
 Illustrations may not be drawn to scale.

**IMPORTANT:**  
 Dimensions of fixtures are nominal and may vary within the range of tolerances established by ASME Standard A 112.19.2.  
 THIS FIXTURE QUALIFIES ACCORDING TO ASME TEST PROCEDURES AS A HIGH-EFFICIENCY WATER CLOSET WITH AN AVERAGE CONSUMPTION OF 1.28 gpf (4.8 Lpf) OR LESS.