



VITREOUS CHINA

URINAL  
27-740

LAVATORIES

TOILETS

BIDETS / URINALS

CAST IRON

# LAFAYETTE™ Washout Wall Hung

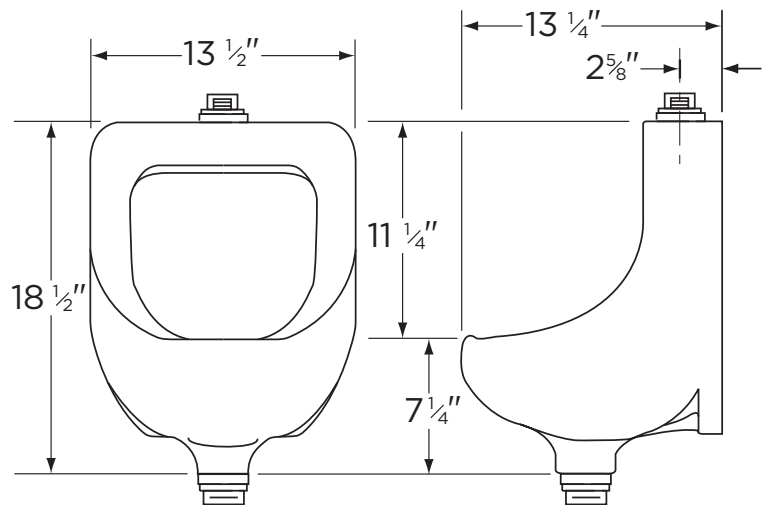


## Features:

- Low Consumption 1.0 gpf (3.8 Lpf)
- Minimum Wall Space
- Integral Strainer
- One-Piece Hanger
- For Exposed Flushometer (top spud)  
1" x 3/4" Inlet  
1 1/2" x 1 1/2" Outlet
- ADA Compliant

## Dimensions:

Height ..... 18 1/2"  
 Width ..... 13 1/2"  
 Depth ..... 13 1/4"  
 Inlet ..... 3/4"  
 Outlet ..... 1 1/2"  
 Shipping Weight ..... 31 lbs



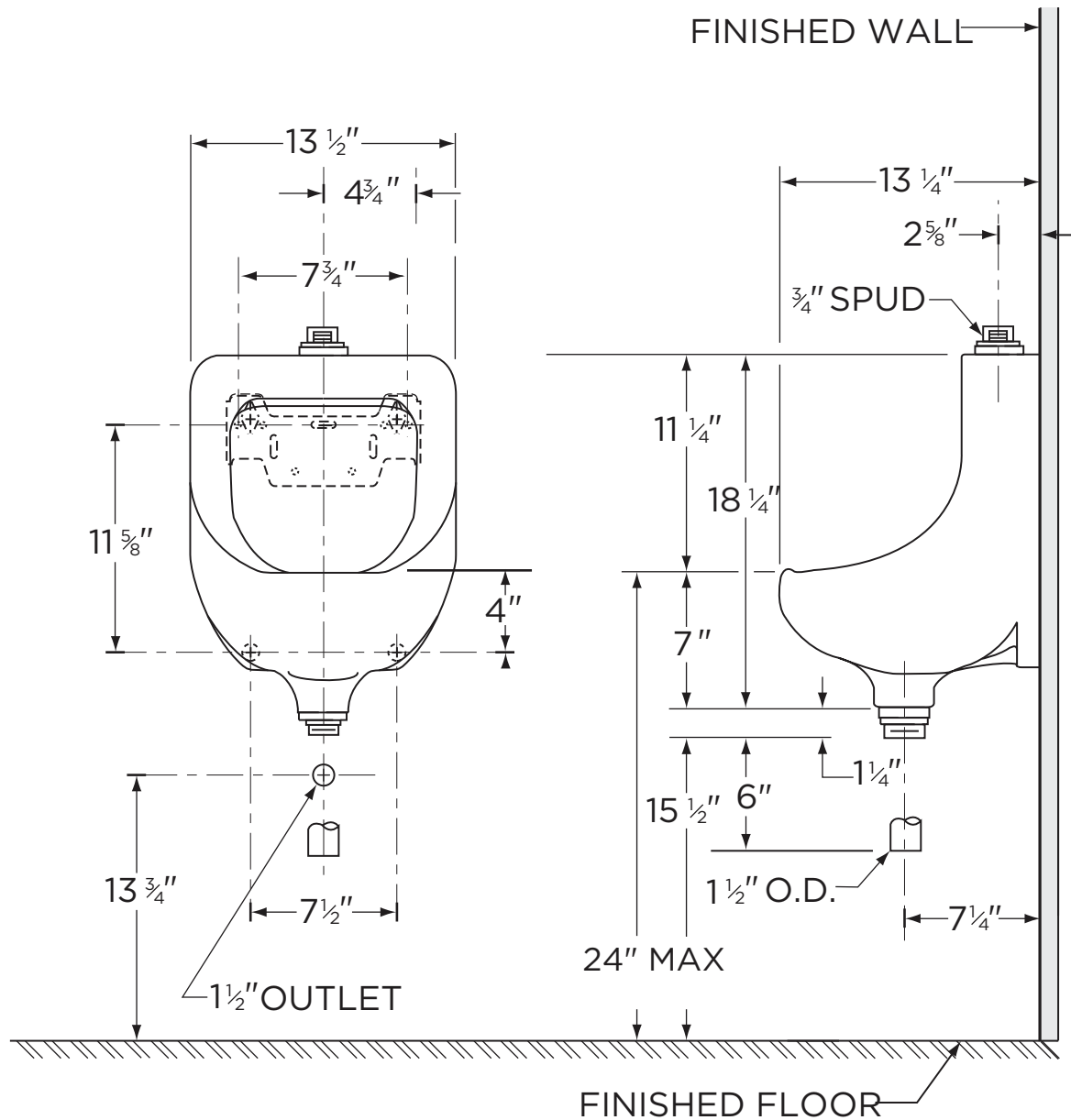
RECOMMENDED STATIC WATER PRESSURE FOR PLUMBING FIXTURES IS 20 - 80 PSI STATIC PER ANSI STANDARDS A112.19.2M APPENDIX B.

THIS FIXTURE QUALIFIES ACCORDING TO ASME TEST PROCEDURES AS A LOW CONSUMPTION WATER CLOSET WITH AN AVERAGE CONSUMPTION OF 1.6 gpf (6 Lpf) OR LESS.



www.gerberonline.com

Job Name	
Date	
Model Specified	
Quantity	
Customer	
Contractor	
Architect/engineer	



**NOTES:**

All dimensions are in inches. Use flush valve MFR'S recommended rough-in.

Recommended static water pressure for plumbing fixtures is 20-80 psi static per ANSI standards A112.19.2 Appendix B.

Illustrations may not be drawn to scale.

**PLUMBERS NOTE:**

Provide suitable reinforcement for all wall supports.

**IMPORTANT:**

Dimensions of fixtures are nominal and may vary within the range of tolerances established by ASME Standard A 112.19.2.

THIS FIXTURE QUALIFIES ACCORDING TO ASME TEST PROCEDURES AS A LOW CONSUMPTION URINAL WITH AN AVERAGE CONSUMPTION OF 1.0 gpf (3.8 Lpf) OR LESS.