



GERBER

VITREOUS CHINA
TOILET
20-022

LAVATORIES

TOILETS

BIDETS / URINALS

CAST IRON



Maxwell® 1.28 ErgoHeight™ Compact Elongated Back Outlet Toilet

4 1/4" vertical

Features:

- 1.28 gpf/4.8 Lpf high efficiency two-piece toilet
- Floor mount back outlet
- Elongated ErgoHeight™ bowl
- Compact design fits in round front space
- Dual-fed siphon jet
- Fluidmaster® fill valve
- 3" flush valve
- Color matched tank lever
- Available in White
- 2 bolt caps
- ADA compliant
- Toilet seat not included

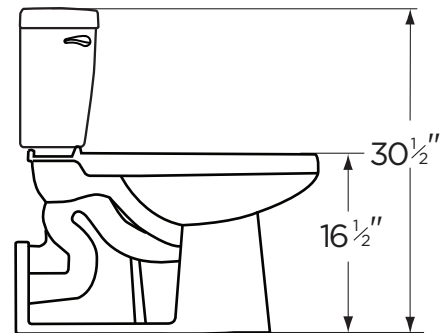
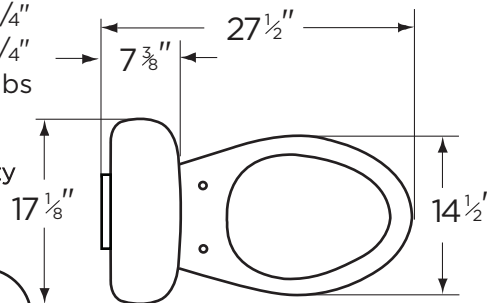


Specifications: Bowl—#21-975 Elongated Bowl

Tank—#28-980

Dimensions:

- Height30 1/2"
- Width17 1/8"
- Depth27 1/2"
- Rough-in4 1/4"
- Water Surface from Rim 5 1/8"
- Trapway (ave) N/A
- Trapway (min) 2"
- Water Surface9 5/8"x 7 3/4"
- Water Seal2 1/4"
- Shipping Weight82 lbs



Warranty:

- 5 year, limited lifetime warranty

THIS FIXTURE QUALIFIES ACCORDING TO ASME TEST PROCEDURES AS A HIGH EFFICIENCY WATER CLOSET WITH AN AVERAGE CONSUMPTION OF 1.28 gpf (4.8 Lpf) OR LESS.



www.gerberonline.com

Job Name	
Date	
Model Specified	
Quantity	
Customer	
Contractor	
Architect/engineer	



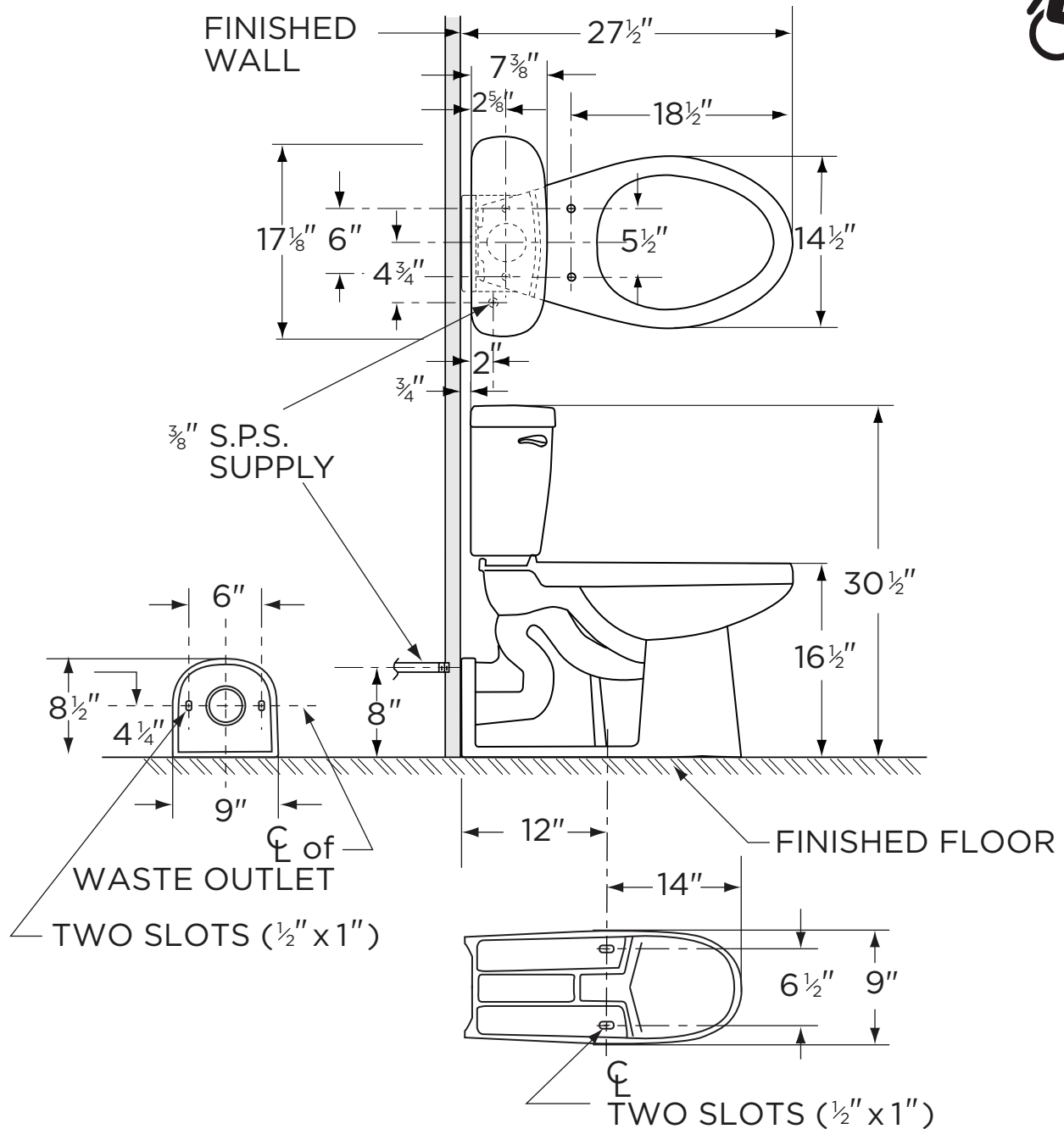
GERBER

1.28 gpf (4.8 Lpf) MAXWELL® TOILET

20-022

Compact Elongated Back Outlet

(Bowl 21-975 with Tank 28-980)



NOTES:

All dimensions are in inches.

Illustrations may not be drawn to scale.

IMPORTANT:

Dimensions of fixtures are nominal and may vary within the range of tolerances established by ASME Standard A 112.19.2.

THIS FIXTURE QUALIFIES ACCORDING TO ASME TEST PROCEDURES AS A HIGH EFFICIENCY WATER CLOSET WITH AN AVERAGE CONSUMPTION OF 1.28 gpf (4.8 Lpf) OR LESS.