



VITREOUS CHINA

TOILET
EF-21-312

LAVATORIES

TOILETS

BIDETS / URINALS

CAST IRON



ULTRA FLUSH® 1.1 Pressure-Assist Toilet Elongated

12" Rough-in

Features:

- Water Conservation 1.1 gpf (4.0 Lpf)
- Elongated Bowl
- Pressurized Flushing Action
- Close Coupled Flushometer Tank
- Siphon Jet
- Front Tank Lever
- 2 Bolt Caps

Dimensions:

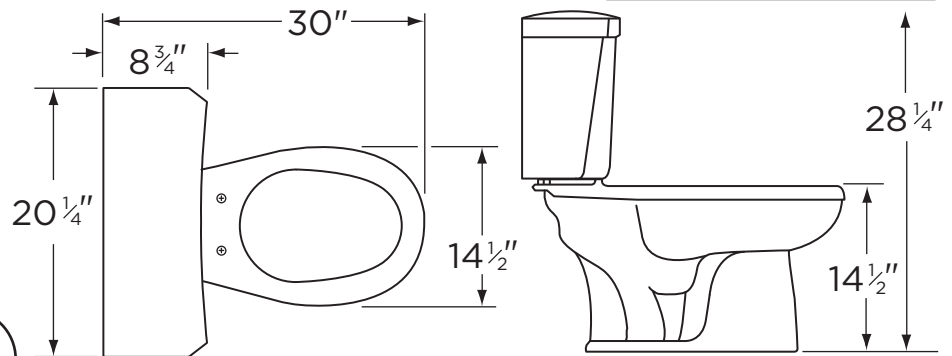
Height 28 1/4"
 Width 20 1/4"
 Depth 30"
 Water Surface from Rim 4 1/2"
 Trapway (ave)* 3 1/3"
 Trapway (min) 2"
 Water Surface 12 1/2" x 10 1/2"
 Water Seal 2 1/2"
 Shipping Weight 92 lbs



*Average diameter of 26 equally spaced points throughout the trapway of 3 randomly selected bowls

Specifications: Bowl—#21-372 Elongated Bowl
Seat not included

Tank—#EF-28-380



THIS FIXTURE QUALIFIES ACCORDING TO ASME TEST PROCEDURES AS A HIGH EFFICIENCY TOILET (HET) WITH AN AVERAGE CONSUMPTION OF 1.1 GPF OR LESS.

HIGH EFFICIENCY TOILET
HET



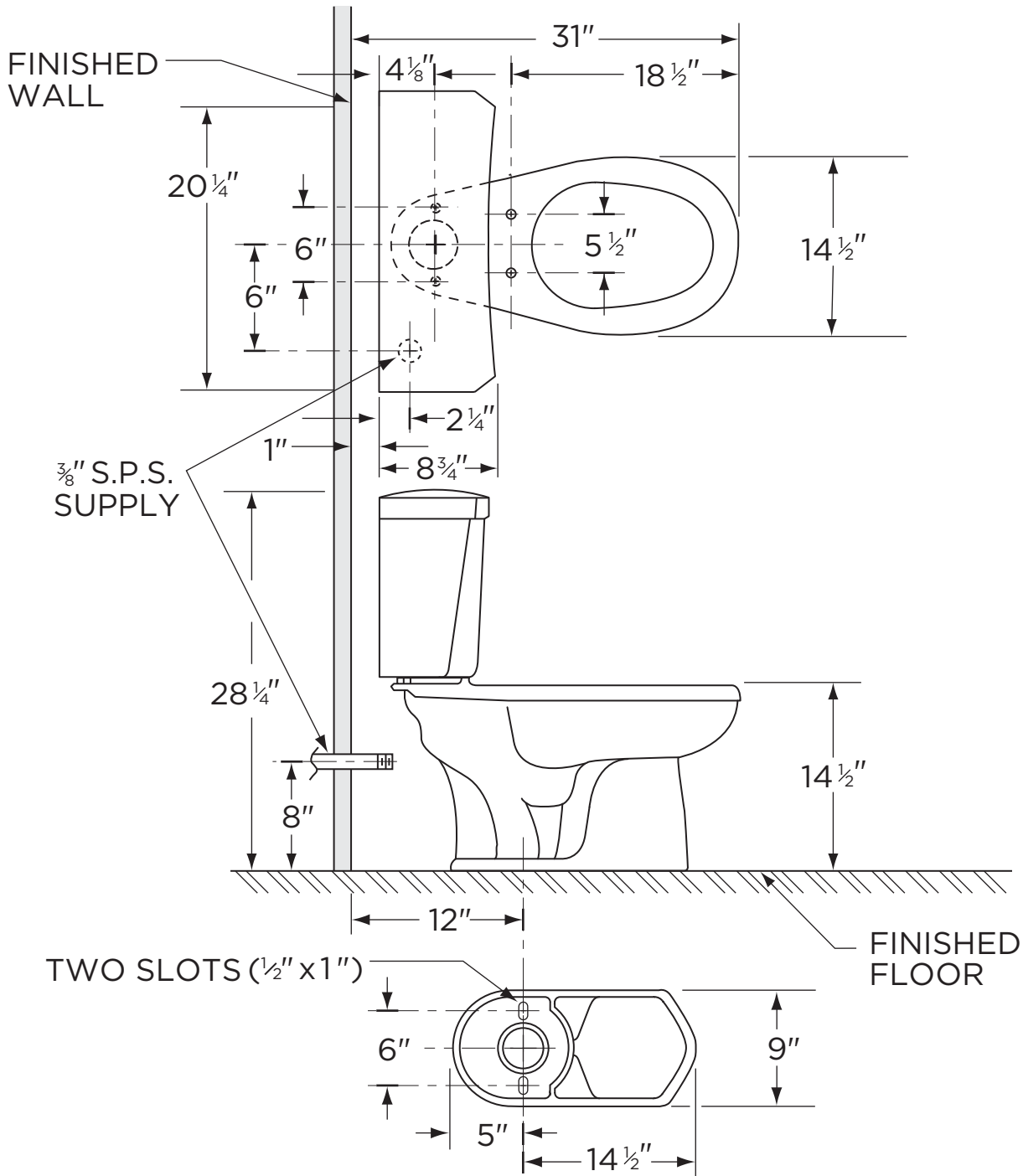
www.gerberonline.com

Job Name	
Date	
Model Specified	
Quantity	
Customer	
Contractor	
Architect/engineer	



1.1 gpf (4.0 Lpf) ULTRA FLUSH® 1.1 TOILET

EF-21-312
Elongated, 12" Rough-in
(Bowl 21-372 with Tank EF-28-380)



NOTES:
All dimensions are in inches.
Illustrations may not be drawn to scale.

IMPORTANT:
Dimensions of fixtures are nominal and may vary within the range of tolerances established by ASME Standard A 112.19.2.
THIS FIXTURE QUALIFIES ACCORDING TO ASME TEST PROCEDURES AS A HIGH EFFICIENCY TOILET (HET) WITH AN AVERAGE CONSUMPTION OF 1.1 gpf OR LESS.