

10SN SERIES - 1/2 HP

APPLICATIONS

Sewage and effluent wastewater transfer, dewatering

FEATURES

- Permanent Split Capacitor (PSC)
- Energy-saving low amp draw
- Designed for continuous duty
- 2" FNPT (51 mm) and 3" FNPT (76.2 mm) discharge models
- Handles solids up to 2" (51 mm) diameter
- Multiple switch options for automatic operation
- 140 °F (60 °C) liquid temperature rating
- cCSAus listed



SERIES SPECIFICATIONS

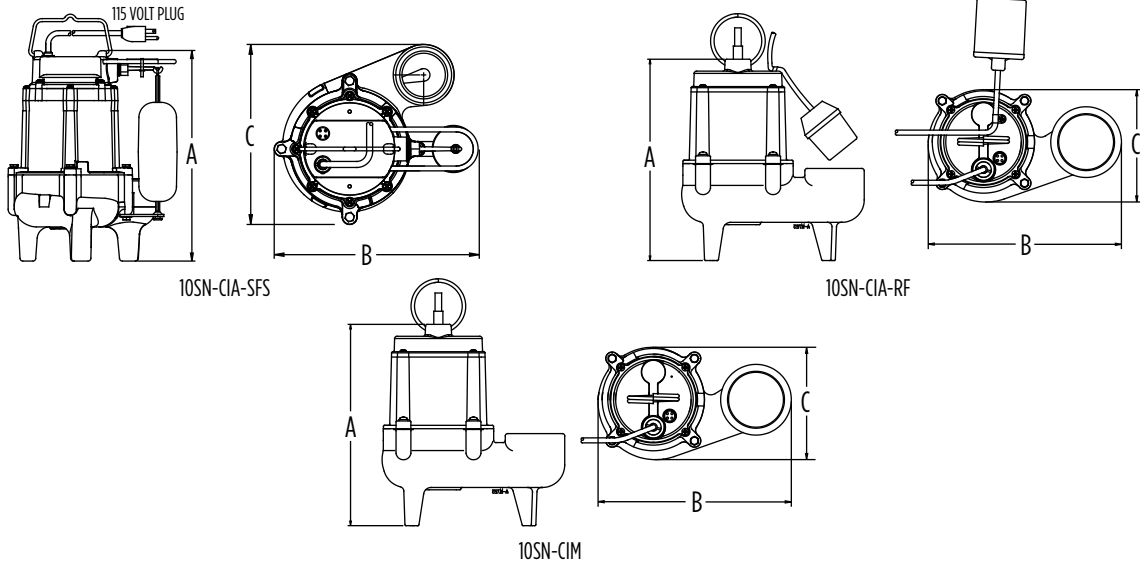
Volts	Hz	Amps		Watts	Performance (GPM @ Height in Feet)			Shut-Off (ft)	PSI
		FLA	Start		5'	10'	15'		
115	60	9.5	17	1000	120	95	70	25	10.9
208/230	50/60	4.5	7.5	900	120	95	70	25	10.8

Item No.	Model	HP	Volts	Discharge	Switch Type/Operation	On Level	Off Level	Cord	Weight
511346	10SN-CIA-SFS	1/2	115	2"	Integral Snap-Action Float	9" - 12" 22.26 cm - 30.48 cm	3" - 6" 7.62 cm - 15.24 cm	20' 6.1 m	37.5 lbs 17.5 Kg
511323	10SN-CIA-RF	1/2	115	2"	Piggyback Mechanical Float	9" - 14" 22.86 cm - 35.56 cm	2" - 6" 5 cm - 15.24 cm	20' 6.1 m	36.5 lbs 16.56 Kg
511326	10SN-CIA-RF	1/2	115	3"	Piggyback Mechanical Float	9" - 14" 22.86 cm - 35.56 cm	2" - 6" 5 cm - 15.24 cm	20' 6.1 m	37.5 lbs 17.5 Kg
511344	10SN-CIM	1/2	115	3"	Manual	-	-	20' 6.1 m	36.5 lbs 16.56 Kg
511322	10SN-CIM	1/2	115	2"	Manual	-	-	20' 6.1 m	35.5 lbs 16.1 Kg
511328	10SN-CIM	1/2	208-230	2"	Manual	-	-	20' 6.1 m	36 lbs 16.33 Kg
511345	10SN-CIM*	1/2	208-230	3"	Manual	-	-	20' 6.1 m	36 lbs 16.33 Kg

SEWAGE PUMPS

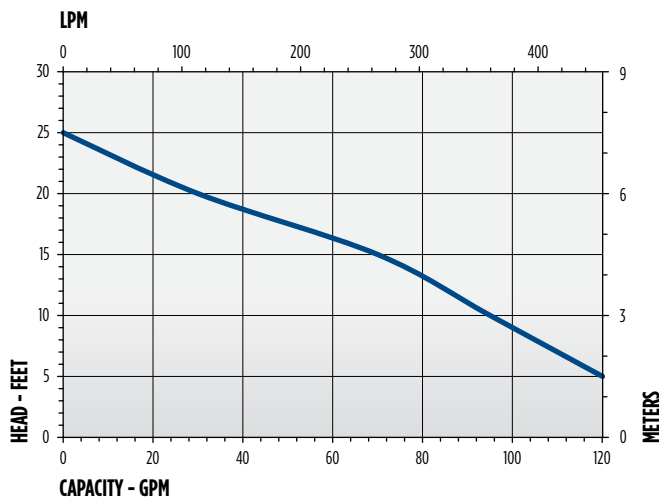
10SN SERIES - 1/2 HP

ENGINEERING DATA



Model	A	B	C
10SN-CIA-SFS	13.12" 33.33 cm	10.54" 26.77 cm	9.25" 23.5 cm
10SN-CIA-RF	11.4" 28.96 cm	11.64" 29.5 cm	6.8" 17.27 cm
10SN-CIM	11.4" 28.96 cm	11.64" 29.5 cm	6.8" 17.27 cm

PERFORMANCE DATA



CONSTRUCTION

Cover	Epoxy-coated cast iron/ *Thermoplastic
Motor Housing	Epoxy-coated cast iron
Impeller Material	Thermoplastic elastomer
Impeller Type	Non-clog
Volute	Epoxy-coated cast iron
Mechanical Shaft Seal	Nitrile with carbon and ceramic faces
Fasteners	Stainless steel
Shaft	Steel
Bearings	Upper sintered sleeve and lower ball bearings
Power Cord	SJTW **SJTOW

* On SFS models

** On 30' 10SN-CIA-RF and 10SN-CIM models