

MOLDED-STONE® MOP SERVICE BASIN

MSB 2424 MSB 3624

Molded-Stone® Mop Service Basin



FEATURES

- **MSB 2424**

The MSB 2424 shall have overall outside dimensions of 24" x 24" x 10". The molding shall be done in matched metal dies under heat and pressure resulting in a one-piece homogeneous product. The unit shall have 10" high walls with not less than 1" wide.

The stainless steel drain body is designed to provide for a caulk connection or QDC-3 joint to a 3" drain pipe. A combination dome strainer and lint basket made from stainless steel shall be included with factory installed stainless steel drain body for caulked joint to accept a 3" pipe.

- **MSB 3624**

The MSB 3624 shall have overall outside dimensions of 36" x 24" x 10". The molding shall be done in matched metal dies under heat and pressure resulting in a one-piece homogeneous product. The unit shall have 10" high walls with not less than 1" wide shoulders and an integrally molded shelf 10 5/16" wide where indicated.

The stainless steel drain body is designed to provide for a caulk connection or QDC-3 joint to a 3" drain pipe. A combination dome strainer and lint basket made from stainless steel shall be included with factory installed stainless steel drain body for caulked joint to accept a 3" pipe.

NOTES

OPTIONS

- *Service Faucet (830-AA):* Chrome plated with vacuum breaker, integral stops, adjustable wall brace, pail hook and 3/4" hose thread on spout.
- *Hose and Hose Bracket (832-AA)*
- *Mop Hanger (889-CC)*
- *Alternate Strainer (1453-BB) - For residential use (EFS-3624 and EFS-2424)*
- *3" Quick Drain Connector (QDC-3XH):* Neoprene connecting gasket suitable for attaching extra heavy cast iron soil pipe and Schedule 40 steel pipe to the drain body. Neoprene connecting gasket (QDC-3SN) suitable for attaching hubless cast iron pipe (no hub, nominal O.D. of 3.31") and service weight cast iron soil pipe (nominal O.D. of 3.38") to the drain body.
- *Silicone Sealant (833-AA)*
- *Vinyl Bumperguard (E-77-AA)*
- *Stainless Steel Bumperguard (E-88-AA)*
- *Stainless Steel Wall Guard (MSG2424, MSG2828, MG3232, MSG3636, and MSG3624)*

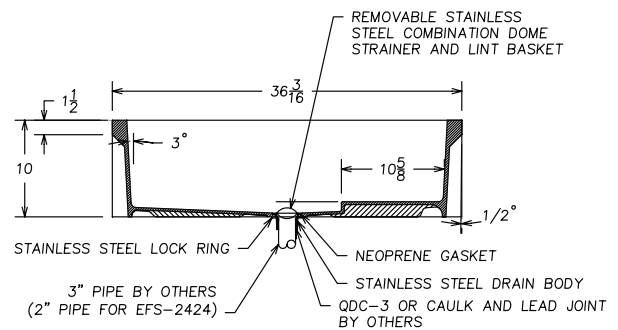
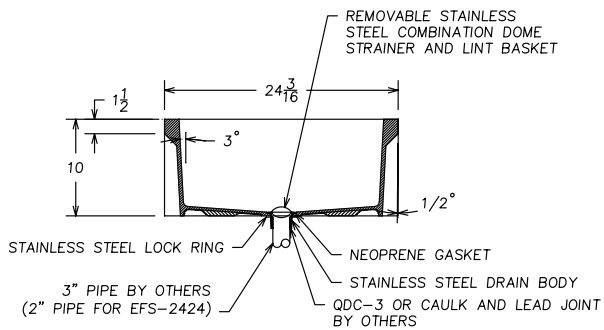
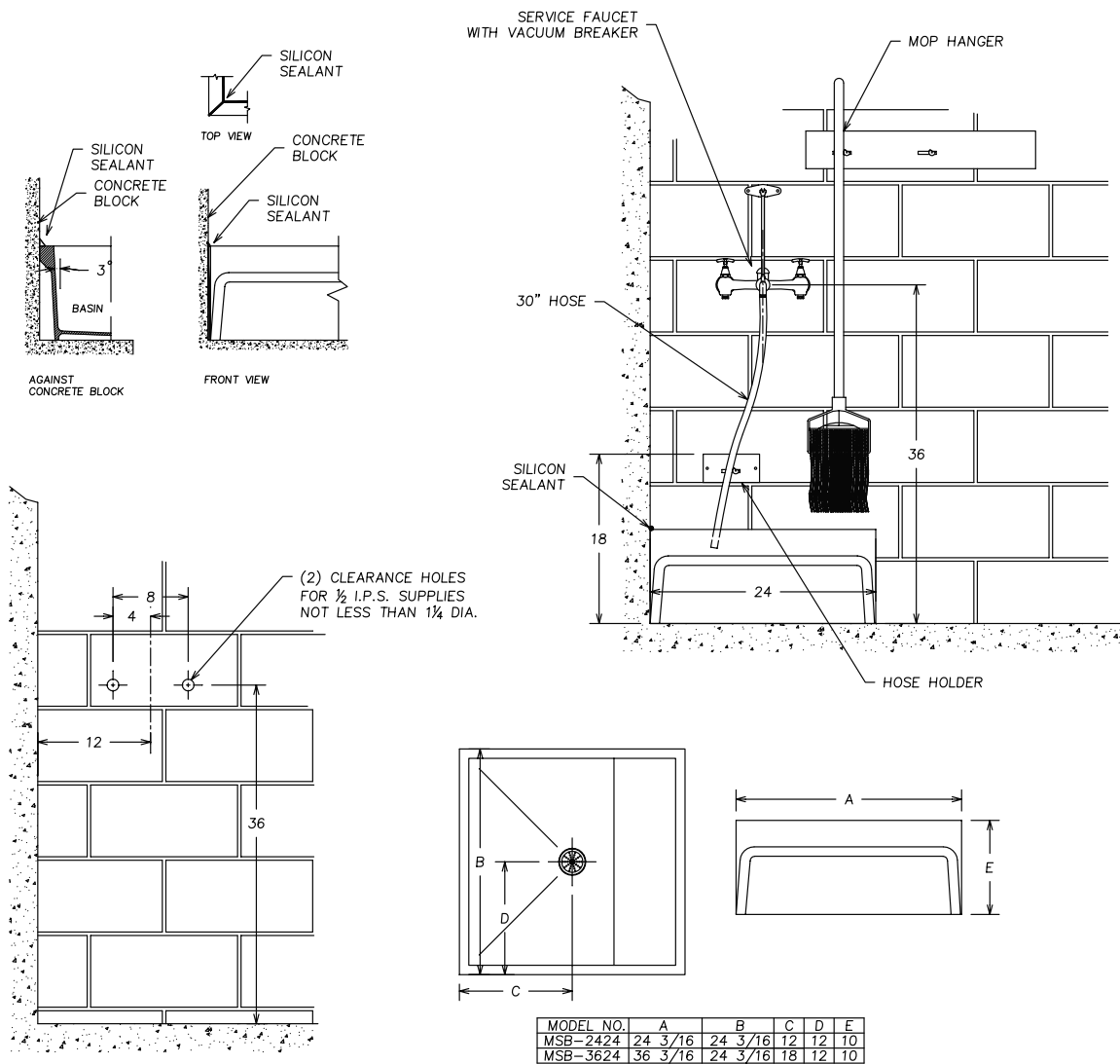


FIAT PRODUCTS®
ACRANE PLUMBING COMPANY

MOLDED-STONE® MOP SERVICE BASIN

MSB 2424 MSB 3624

Molded-Stone® Mop Service Basin



IMPORTANT: Roughing-in dimensions may vary 1/2" and are subject to change or cancellation without prior notice.