

ROOF VENTS



PLASTIC ROOF VENTS - FA50



- Provides over 50 in² of free area.
- Made of long life narrow molecular Polyethylene with a brittleness temperature of -99F. It has ultraviolet/antioxidant additives for resistance and color fastness, thus the life of the plastic will outlast most roofing materials
- Standard colors are Black, Dark Brown, and Wood Grey

| ITEM # | COLOR | FREE AREA | CTN QTY |
|---|-------------|-----------|---------|
| FA50BK | BLACK | 50 | 12 |
| FA50DBR | DARK BROWN | 50 | 12 |
| FA50WG | WOOD GREY | 50 | 12 |
| OTHER COLORS AVAILABLE AS A SPECIAL ORDER | | | |
| FA50BR | LIGHT BROWN | 50 | 12 |
| FA50WH | WHITE | 50 | 12 |
| FA50GR | LIGHT GRAY | 50 | 12 |



FRESH AIR MANUFACTURING CO.
Technologies in Ventilation

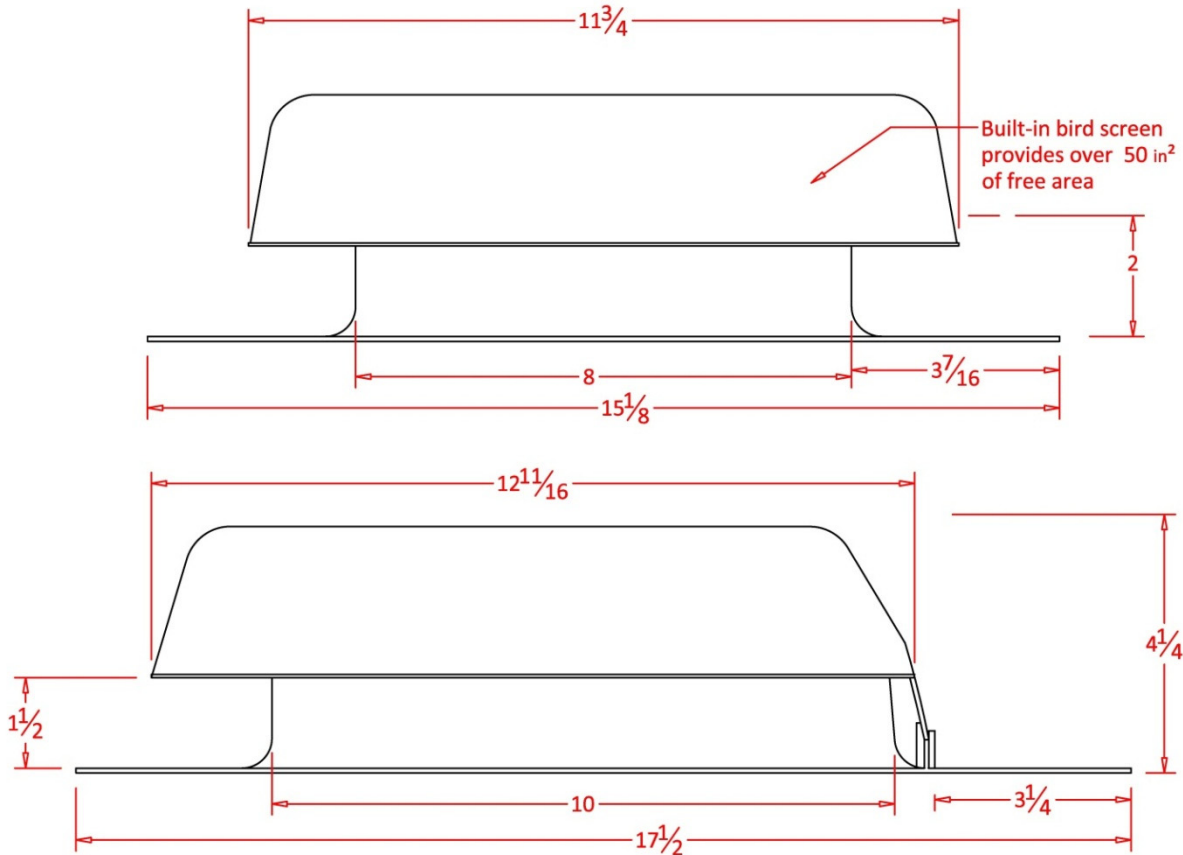
649 N. Ralstin St., Meridian, ID 83642 * (208)884-8931 * (800)-234-1903 * FAX: (208)884-8943



FAMCO

ROOF VENTS

PLASTIC ROOF VENTS - FA50



- Provides over 50 in^2 of free area.
- Made of long life narrow molecular Polyethylene with a brittleness temperature of -99F . It has ultraviolet/antioxidant additives for resistance and color fastness, thus the life of the plastic will outlast most roofing materials
- Available in Black, Dark Brown, and Wood Grey



FRESH AIR MANUFACTURING CO.
Technologies in Ventilation

649 N. Ralstin St., Meridian, ID 83642 * (208)884-8931 * (800)-234-1903 * FAX: (208)884-8943