

No. 10

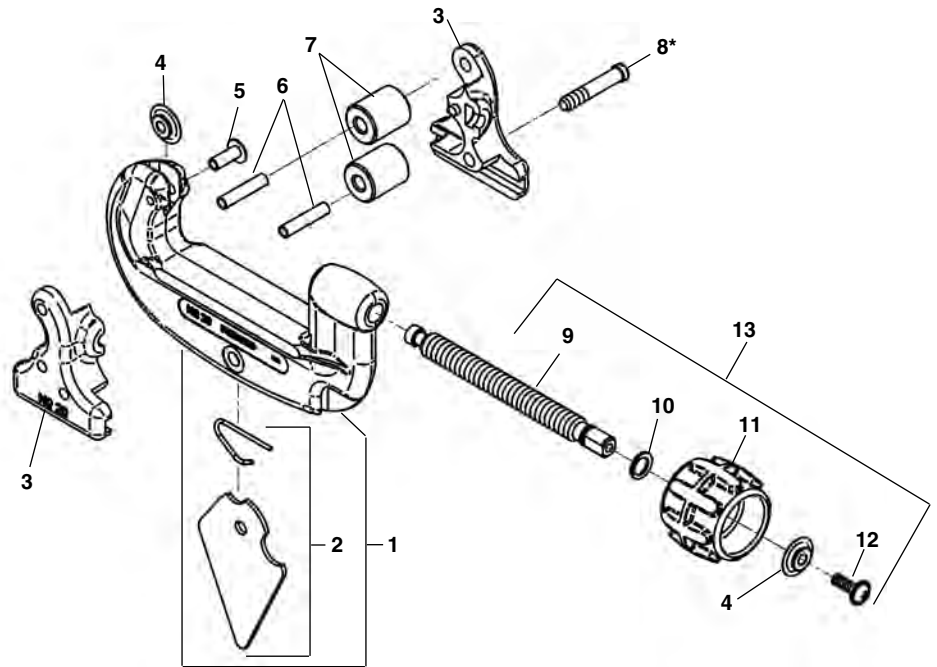
Capacity: 1/8" through 1" O.D.

No. 15

Capacity: 3/16" through 1 1/8" O.D.

No. 20

Capacity: 5/8" through 2 1/8" O.D.



**NOTE: Order parts by Catalog Number only.
DO NOT order by Reference Number.**

| Ref. No. | Description | 10 | 15 | 20 |
|----------|---|-------------|--------------|-------------|
| | | 1/8"-1" | 3/16"-1 1/8" | 5/8"-2 1/8" |
| | | Catalog No. | Catalog No. | Catalog No. |
| 1 | Frame Assembly | 34605 | 34600 | 33575 |
| 2 | Reamer Blade, Spring & Pin | 34330 | 34335 | 34340 |
| 3 | Roll Housing | 33760 | 34610 | 33580 |
| 4 | Cutter Wheel (Thin) | 33160 | 33160 | 33160 |
| | Cutter Wheel (Heavy-Duty) | 33165 | 33165 | 33165 |
| 5 | Quick Change Pin | 21533 | 21533 | 21533 |
| | Wheel Screw (OLD STYLE) | 34325 | 34325 | 34345 |
| | Roll Pin | 34860 | * | * |
| 7 | Roll | 34830 | 34805 | 34825 |
| 8* | Roll Housing Screw | 34300 | 34615 | 34620 |
| 9 | Feed Screw | 11308 | 11323 | 11313 |
| 10 | Retaining Ring | 11298 | 11303 | 11303 |
| 11 | Knob w/Screw | 33177 | 33182 | 33182 |
| 12 | Screw | 61097 | 61097 | 61097 |
| 13 | Feed Screw Assembly (Includes Ref. Nos. 9-12) | 34590 | 34585 | 34595 |

*Three Roll Housing Screws (Ref. No. 8) used in place of Roll Pins.

No. 30

Capacity: 1" through 3" O.D.

| Ref. No. | Catalog No. | Description |
|----------|-------------|---------------------------|
| 1 | 33375 | Frame Assembly |
| 2 | 34360 | Wheel Screw |
| 3 | 34420 | Stop Screw |
| 4 | 33932 | Roll Pin |
| 5 | 34365 | Screw Handle |
| 6 | 33520 | Roll Housing |
| 7 | 34370 | Roll </td |
| 8 | 33170 | Cutter Wheel (Thin) |
| | 33175 | Cutter Wheel (Heavy-Duty) |

