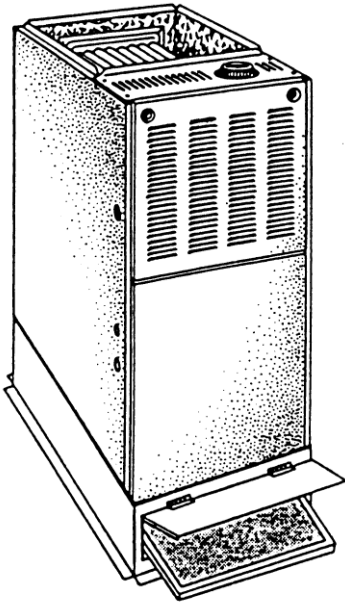


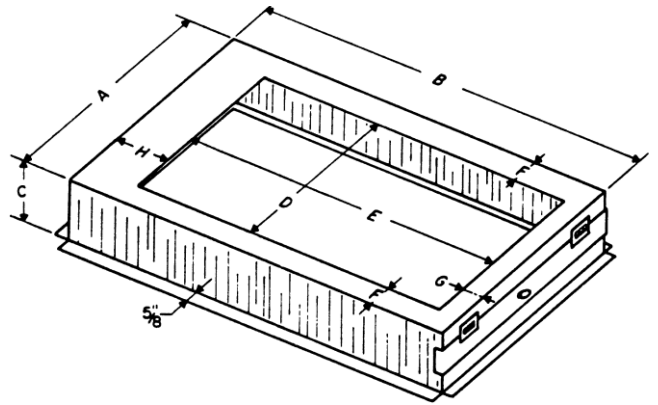
# EASY ACCESS FURNACE-FAN/COIL UNIT FILTER BASE ACCOMMODATES 1", 2", or 4" FILTERS

“MAKE IT E-Z FOR YOUR CUSTOMER”



Typical Installation With  
Upflow Gas Furnace

- Lift Access Door - Remove Filter
- No Furnace Panels Or Door To Remove
- Use Standard Size Filters
- Keep Evaporator Coils Clean
- More Efficient - Heating & Cooling
- Customized Professional Installations
- Creates Customer Referrals



### Upflow / Horiz. Gas Furnace Physical Data And Specifications

MODEL NUMBER	OVERALL			OPENING		TOP			GAUGE METAL	APPROX. WEIGHT	FILTER SIZE*
	A	B	C	D	E	F	G	H			
EZ-1425S	14 1/4	28 5/8	6	11 3/4	24 5/8	1 1/4	1	3	22	11 LBS.	14 x 25
EZ-1625S	17 5/8	28 5/8	6	15 1/8	24 5/8	1 1/4	1	3	22	12 LBS.	16 x 25
EZ-2025S	21 5/8	28 5/8	6	19 1/8	24 5/8	1 1/4	1	3	22	13 LBS.	20 x 25
EZ-2424S	24 5/8	28 5/8	6	22 1/8	24 5/8	1 1/4	1	3	22	14 LBS.	24 x 24

### Fan / Coil Unit Physical Data And Specifications

MODEL NUMBER	OVERALL			OPENING		TOP			GAUGE METAL	APPROX. WEIGHT	FILTER SIZE*
	A	B	C	D	E	F	G	H			
EZ-1620-FCS	17 1/2	22	6	15	19	1 1/4	1	2	22	8 LBS.	16 x 20
EZ-2020-FCS	21	22	6	18 1/2	19	1 1/4	1	2	22	8 1/2 LBS.	20 x 20
EZ-2025-FCWS	25	22	6	22 1/2	19	1 1/4	1	2	22	9 LBS.	20 x 25
EZ-2025-FCNS	22	25	6	19 1/2	21 5/8	1 1/4	1	2 1/2	22	9 LBS.	20 x 25

NOTE: \*Accepts 1", 2" or 4" Filter  
 FILTER NOT INCLUDED  
 suitable for use with disposable or  
 electrostatic type washable filters

U.S. Patent No. 4,827,901  
 U.S. Patent No. 4,919,123