

BRASS LEVER HANDLE GAS VALVE

EASTMAN®

Peace of Mind for the Professional Plumber

TECHNICAL DATA



Two-Piece Gas Appliance Valves

Two-piece gas shut-off valves are designed for reliable performance on low-pressure gas appliances and general-duty light commercial applications. Ball valves feature forged brass body construction, with brass stem, stem gland screw and ball, a PTFE seat and zinc alloy handle.

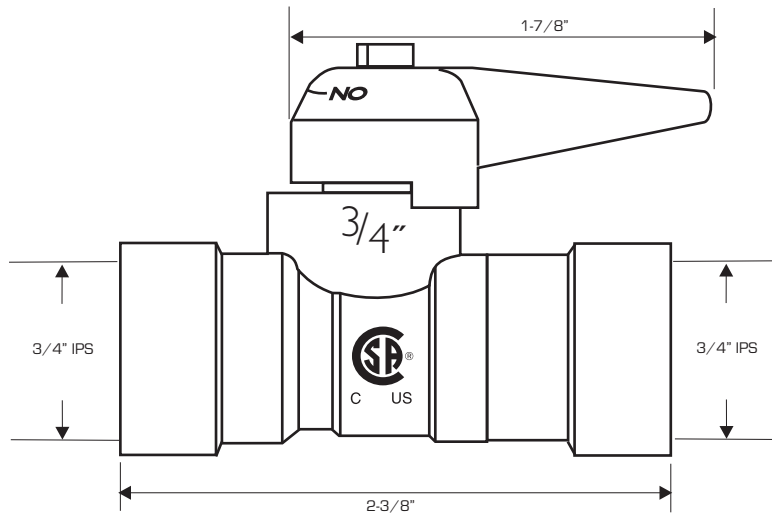
These valves accommodate the full range of gas fuels, including natural, manufactured, mixed, liquified petroleum gases and LP gas-air mixtures. Rated for temperatures from 32°F to 125°F at pressures of 1/2 and 5 PSIG.

PACKAGE: Bulk

COUNTRY OF ORIGIN: China

PART#	DESCRIPTION	FINISH
60011	brass lever handle gas valve	rough brass red handle

ROUGH IN DRAWING



ALL DIMENSIONS SHOWN ARE NOMINAL