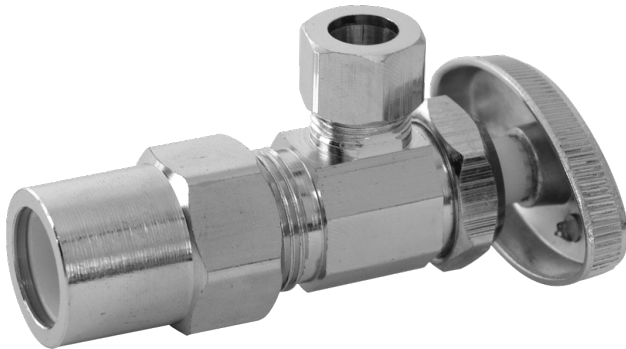


# ANGLE STOP VALVE

**EASTMAN**<sup>®</sup>  
**SPEED-FLEX**<sup>™</sup>

*Peace of Mind...  
for the Professional Plumber*

## TECHNICAL DATA



DESCRIPTION:  
3/8"OD x 1/2"CPVC

CONSTRUCTION:  
Solid Brass Body and Stem, Die-Cast Metal  
Handle, Rubber Seal

FINISH:  
Chrome Plated finish

CODE APPROVALS:  
CUPC , Complies w/ NSF-61 & Lead Free Certified

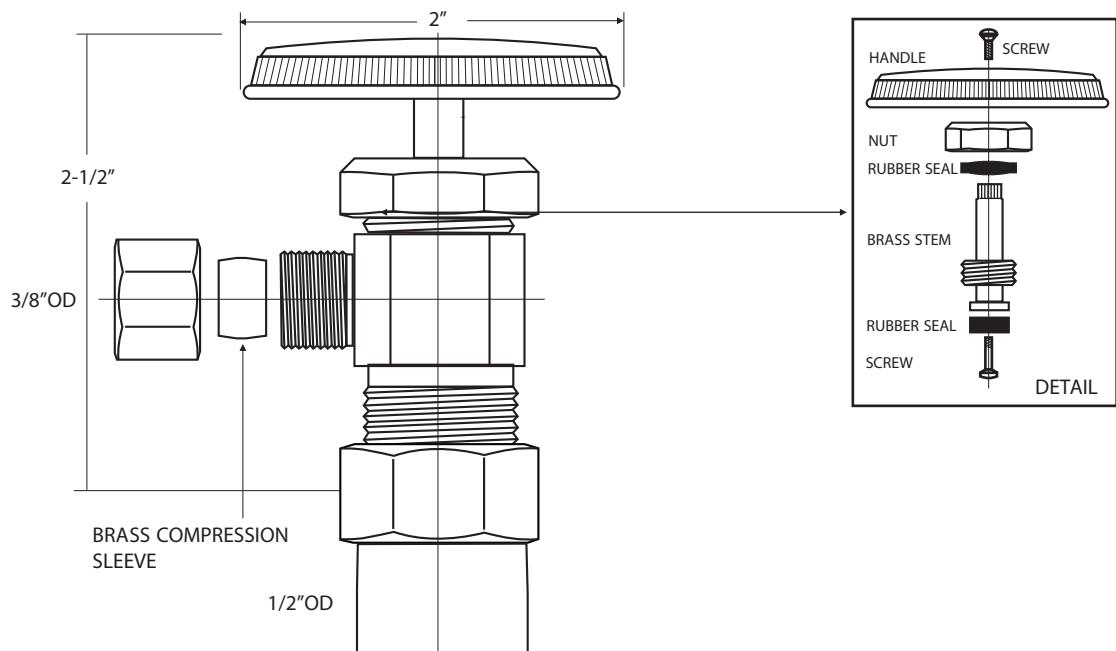
PACKAGING:  
Color Box w/ Barcode  
Inner carton: 24  
Master carton: 96

BRAND: EASTMAN

PART#	DESCRIPTION	FINISH
04345LF	3/8"OD X 1/2" CPVC	Chrome

Country of origin: China

## ROUGH IN DRAWING



ALL DIMENSIONS SHOWN ARE NOMINAL

Meets requirements for NSF-61

