

SUBMITTAL RECORD

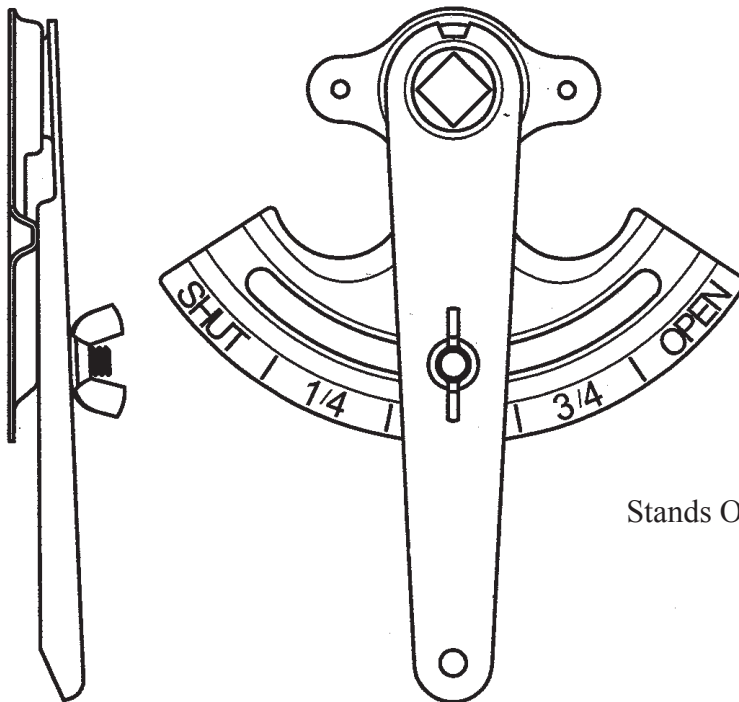
JOB _____
 LOCATION _____
 SUBMITTED TO _____
 SUBMITTAL PREPARED BY _____
 APPROVED BY _____
 DATE _____



**Submittal Form
 KS - Quadline 3/8"
 Quadrant Sets**

3/8" QUADRANT SETS (FOR DAMPERS UP TO 20")

These heavy gauge plated steel quadrants are designed with excellent handle action, as well as quick wing nut adjustment and locking of the damper. The frame is marked to show the exact position of the damper. For use on square or round ducts.



Stands Off Duct 1-1/8"

| 3/8" QUADRANT SETS | | | |
|--------------------|---------------------|--|---|
| ITEM#/BULK# | CODE/BULK CODE | SET CONSISTS OF: | QTY / BULK QTY |
| 8050 / 7385 | KS38 / KS38B | K-4 quadrant; KP-9R round end bearing; KP-9S square end bearing | 1 Set Per Ctn / 100 Sets Per Ctn |
| 8051 | KS385 | K-4 quadrant; KP-7 spring loc bearing; KP-9S long square end bearing | 1 Set Per Ctn |
| 8049 | KS385L | K-4 quadrant; KP-7L long spring loc bearing; KP-9L long square end bearing | 1 Set Per Ctn |
| 8059 / 7389 | K4 / K4B | 3/8" quadrant only | 100 Per Ctn / 200 Per Ctn |

Duro Dyne East Division, Bay Shore, NY
 Duro Dyne Midwest Division, Fairfield, OH
 Duro Dyne West Division, Fontana, CA
 Duro Dyne Canada, Lachine, Quebec, Canada

631-249-9000 Fax: 631-249-8346
 513-870-6000 Fax: 513-870-6005
 562-926-1774 Fax: 562-926-5778
 514-422-9760 Fax: 514-636-0328

www.durodyne.com E-mail: durodyne@durodyne.com



©2014 Duro Dyne Corporation
 Printed in USA 4/14
 BO008428