

SUBMITTAL RECORD

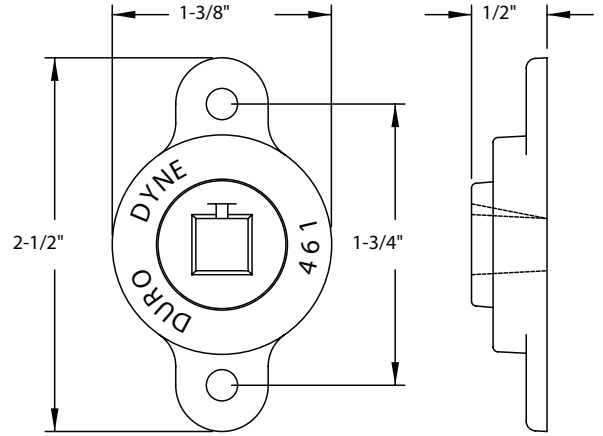
JOB _____
 LOCATION _____
 SUBMITTED TO _____
 SUBMITTAL PREPARED BY _____
 APPROVED BY _____
 DATE _____



Submittal Form
SPECLINE®
SB - END BEARINGS

OPEN END BEARING CAST ALLOY

• Melting point: 718° - 728°F

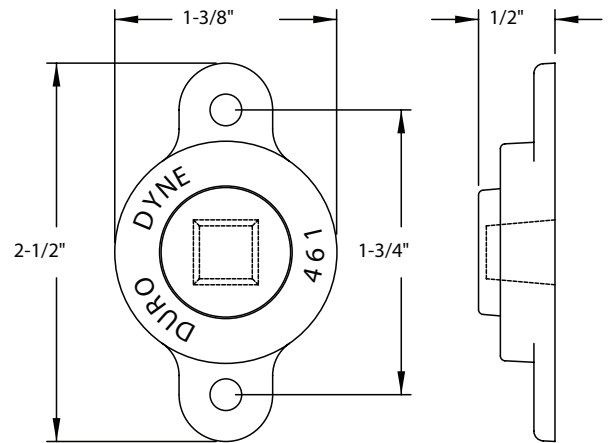


OPEN END BEARING

OPEN END			
ITEM#/BULK#	CODE/BULK CODE	SHAFT SIZE	QTY/BULK QTY
8025	SB114	1/4" sq.	25 Per Ctn
8027 / 8144	SB138 / SB138B	3/8" sq.	25 Per Ctn/ 500 Per Ctn
8029	SB112	1/2" sq.	25 Per Ctn

CLOSED END BEARING CAST ALLOY

• Melting point: 718° - 728°F



CLOSED END BEARING

CLOSED END			
ITEM#/BULK#	CODE/BULK CODE	SHAFT SIZE	QTY/BULK QTY
8026	SB314	1/4" sq.	25 Per Ctn
8028 / 8145	SB338 / SB338B	3/8" sq.	25 Per Ctn/ 500 Per Ctn
8030	SB312	1/2" sq.	25 Per Ctn

Duro Dyne East Division, Bay Shore, NY
 Duro Dyne Midwest Division, Hamilton, OH
 Duro Dyne West Division, Fontana, CA
 Duro Dyne Canada, Lachine, Quebec, Canada

631-249-9000 Fax: 631-249-8346
 513-870-6000 Fax: 513-870-6005
 562-926-1774 Fax: 562-926-5778
 514-422-9760 Fax: 514-636-0328

www.durodyne.com E-mail: durodyne@durodyne.com



©2017 Duro Dyne Corporation
 Printed in USA 7/24/17
 BO008412