

SUBMITTAL RECORD

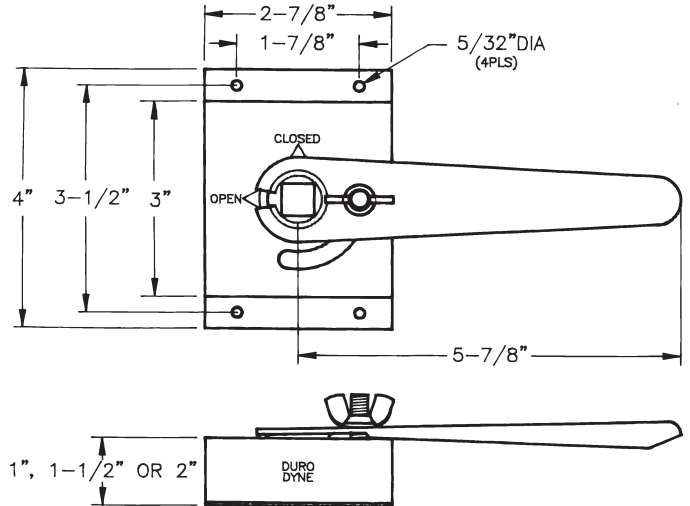
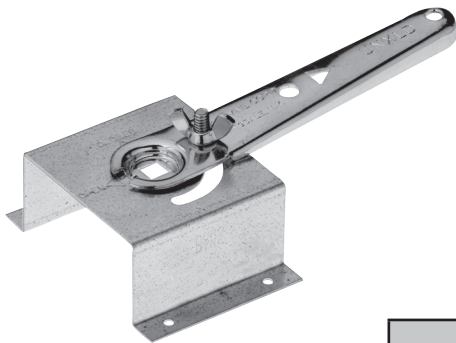
JOB _____
 LOCATION _____
 SUBMITTED TO _____
 SUBMITTAL PREPARED BY _____
 APPROVED BY _____
 DATE _____



**Submittal Form
 ESO Standoff Regulator
 for Square Duct**

STANDOFF WITH ECONOMY HANDLE - SQUARE

- Stand available with 90° or 45° bend for round or square duct.
- Available 1", 1-1/2" and 2" height
- Stand Off: 18 gage G-60 or better galvanized steel
- Handle: 16 gage galvanized steel
- Wing Nut: 1/4"-20 zinc plated steel
- Bolt: 1/4"-20x3/4" zinc plated steel
- Seal set available in all configurations



ESO SERIES FOR SQUARE DUCT				
ITEM#/BULK#	CODE/BULK CODE	SHAFT SIZE	STAND HEIGHT	QTY/BULK QTY
7201 / 7258	ESO-14-100 / <i>ESO-14-100B</i>	1/4" sq.	1"	10 Per Ctn/ <i>100 Per Ctn</i>
7203 / 7259	ESO-14-150 / <i>ESO-14-150B</i>	1/4" sq.	1-1/2"	10 Per Ctn/ <i>100 Per Ctn</i>
7205	ESO-14-200	1/4" sq.	2"	10 Per Ctn
7207 / 7251	ESO-38-100 / <i>ESO-38-100B</i>	3/8" sq.	1"	10 Per Ctn/ <i>100 Per Ctn</i>
7209 / 7256	ESO-38-150 / <i>ESO-38-150B</i>	3/8" sq.	1-1/2"	10 Per Ctn/ <i>100 Per Ctn</i>
7211 / 7238	ESO-38-200 / <i>ESO-38-200B</i>	3/8" sq.	2"	10 Per Ctn/ <i>50 Per Ctn</i>
7213	ESO-12-100	1/2" sq.	1"	10 Per Ctn
7215	ESO-12-150	1/2" sq.	1-1/2"	10 Per Ctn
7217	ESO-12-200	1/2" sq.	2"	10 Per Ctn

Also Available for Round Duct. Seal Kits Sold Separately.

SEAL FOR STANDOFF WITH ECONOMY HANDLE



ESO SEAL		
ITEM#	CODE	FOR USE WITH STAND HEIGHT
7245	SESO-38-214	2"

Seal is always 1/4" larger for tighter seal.

Duro Dyne East Division, Bay Shore, NY
 Duro Dyne Midwest Division, Hamilton, OH
 Duro Dyne West Division, Fontana, CA
 Duro Dyne Canada, Lachine, Quebec, Canada

631-249-9000 Fax: 631-249-8346
 513-870-6000 Fax: 513-870-6005
 562-926-1774 Fax: 562-926-5778
 514-422-9760 Fax: 514-636-0328

www.durodyne.com E-mail: durodyne@durodyne.com



©2016 Duro Dyne Corporation
 Printed in USA 10/16
 BO008423