

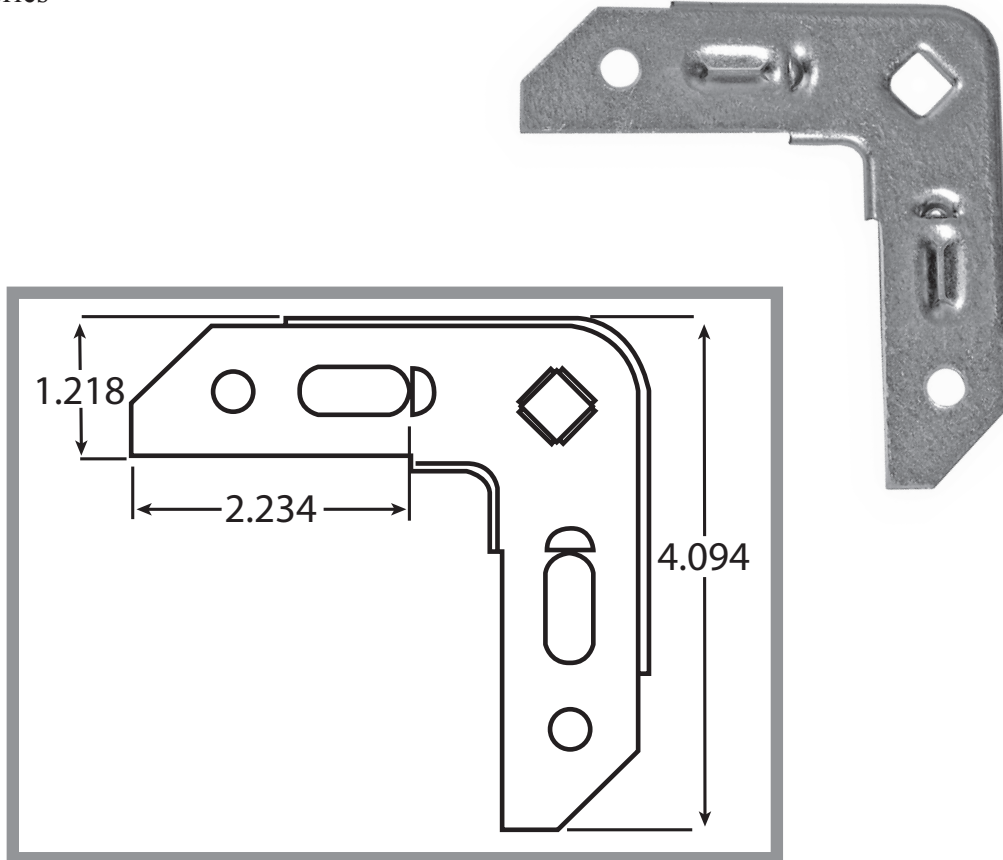
SUBMITTAL RECORD \_\_\_\_\_  
 JOB \_\_\_\_\_  
 LOCATION \_\_\_\_\_  
 SUBMITTED TO \_\_\_\_\_  
 SUBMITTAL PREPARED BY \_\_\_\_\_  
 APPROVED BY \_\_\_\_\_  
 DATE \_\_\_\_\_



# Submittal Form Quad Corner

## Quad Corner

- Compatible with Dyn-O-Mate® J, Ductmate™ 35, CL Ward™ J, Ward Industries™ J, Hardcast™ flanges, TDC, TDF and TDX Connections.
- Quad corners are manufactured from 16-gauge steel.
- Other gauges and materials are available upon request.
- Stainless Steel 300 Series



<u>Item #</u>	<u>Code</u>	<u>Description</u>
21270	DDEJ	Quad Corner
21277	DDEJ-AL	Aluminum Quad Corner
21278	DDEJ-SS	Stainless Steel Quad Corner

