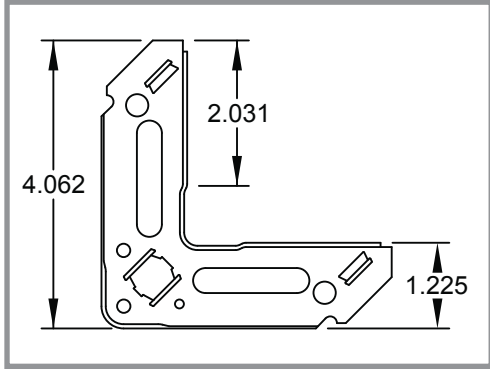


SUBMITTAL RECORD _____
 JOB _____
 LOCATION _____
 SUBMITTED TO _____
 SUBMITTAL PREPARED BY _____
 APPROVED BY _____
 DATE _____



Submittal Form TDCS/TDFS Stackable Corners

TDCS Stackable

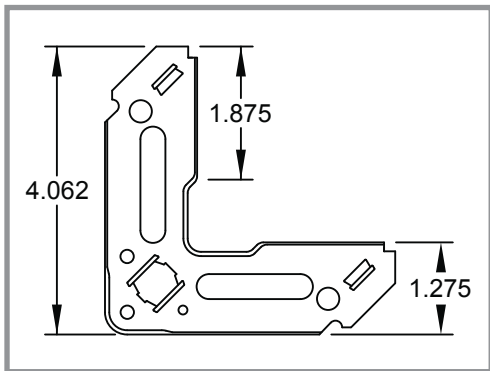


TDCS Stackable TDC Corners

- DDCS (TDC) corners are for use in corner insertion machines and are manufactured from 16-gauge steel.
- Also available in Aluminum and Stainless Steel.



TDFS Stackable



TDFS Stackable TDF Corners

- DDFS (TDF) corners are for use in corner insertion machines and are manufactured from 16-gauge steel.



<u>Item #</u>	<u>Code</u>	<u>Description</u>
21020	TDCS	Stackable TDC Corner
21021	TDFS	Stackable TDF Corner
21022	TDCUS	Unstacked Stackable TDC Corner
21023	TDFUS	Unstacked Stackable TDF Corner