

DTK-CM+ Series

120/240VAC and 240/480VAC Surge Protective Devices



Product Features

- NEMA 4X weatherproof enclosure allows for use in harsh environments
- Parallel connection for easy installation
- Diagnostic LED provides positive indication of power, ground presence, and surge protection
- Automatically resets to handle multiple surge events

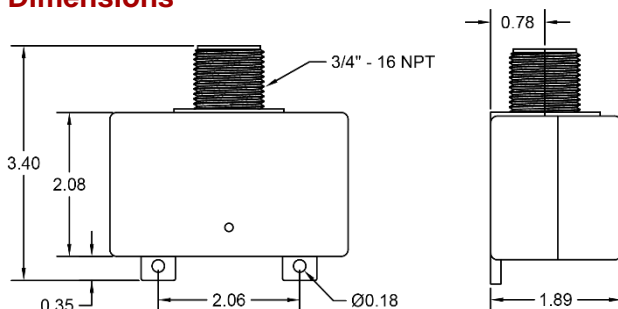
Applications

- HVAC Equipment, Pumps and Motors
- Highway Lighting and Parking Lot Lighting
- Incoming Utility Power

Accessories

- DIN Rail Mounting Kit – DTK-DRK

Dimensions



Every precaution has been taken to ensure that this literature is accurate and complete. DITEK Corporation assumes no responsibility and disclaims all liability for damages resulting from the use of this information or for any errors or omissions.

DITEK's DTK-CM+ Series of Surge Protective Devices (SPD's) provide durable, cost-effective protection and are suitable for use in a variety of locations. These compact, parallel-mount SPD's are available for 120/240V and 240/480V systems, and are an excellent choice for effective, performance driven surge protection.

Technical Specifications

Service Voltage:	DTK-120/240CM+	DTK-240/480CM+
Service Voltage:	Split ϕ (2W + G) 120/240VAC	Split ϕ (2W + G) 240/480VAC
MCOV:	150/320V	320/550V
Protection Modes:	L-G, L-L	
Voltage Protection Rating:	700V L-G 1,200V L-L	1,200V L-G 2,500V L-L
Surge Current Rating:	50,000 A	
SCCR:	10kA	
Nominal Discharge Current Rating (In):	10kA	
Operation Frequency:	50/60Hz	

Mechanical Characteristics

Connection Method:	3/4" NPT Parallel Wired
Housing:	NEMA 4X
Operating Temperature:	-31°F - 104°F (-35°C - 40°C)
Maximum Humidity:	95% non-condensing
Dimensions:	3.5"L x 1.89"W x 3.4"H (88.9mm x 48.3mm x 86.4mm))
Weight:	0.55 lb. (0.25 kg)

Quality, Standards & Approval

Agency Approvals:	UL1449 4 th Edition, cUL
SPD Type:	Type 1 SPD
Warranty:	Ten Year Limited