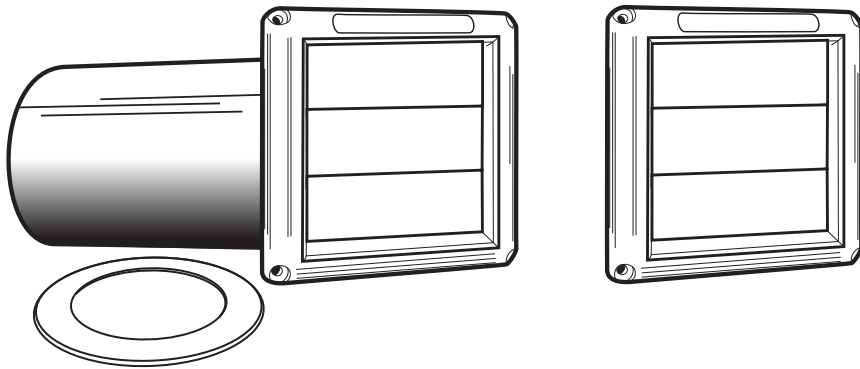


Dryer Vent - 4" (10.2 cm) Supurr-Vent® Louvered Vent Hood, with aluminum pipe and collar



SVHCW4, SVHCB4, SVHAW4, SVHAW4/18, SVHAB4, SVHUW4, SVHUB4,

HS4W/48, HS4B/48  
HSR4W, HSR4W/18  
HSR4B, HSR4B/18

Model No.	Description	Color
HS4W/48	Hood only	White
HS4B/48	Hood only	Brown
HSR4W	Hood only	White
HSR4W/18	Hood only	White
HSR4B	Hood only	Brown
HSR4B/18	Hood only	Brown
SVHCW4	Hood/pipe unassem.	White
SVHCB4	Hood/pipe unassem.	Brown
SVHAW4	Hood/pipe assem.	White
SVHAB4	Hood/pipe assem.	Brown
SVHUW4	Hood/pipe unassem.	White
SVHUB4	Hood/pipe unassem.	Brown

### Performance Data

for plastic molded vent hoods

#### Hood

- Calcium filled Polypropylene
- Melting point: 325°F + (163° C approx.)
- UV Inhibitor added

#### Pipe

- Aluminum

#### Collar

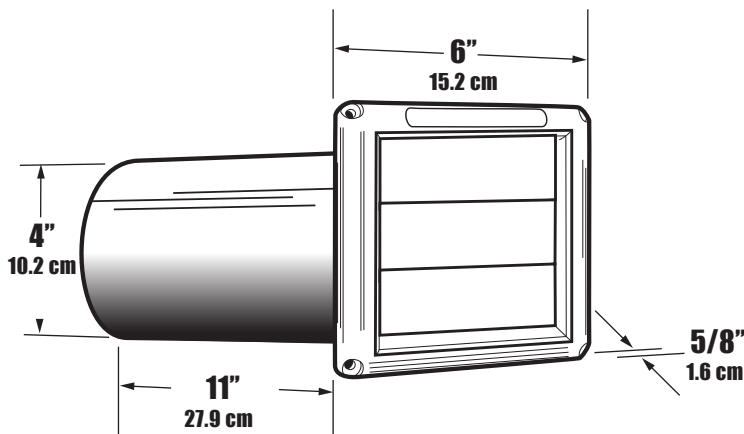
- High impact styrene

### General Information

- 4" (10.2 cm) dia. opening
- quick, easy installation
- louvered construction helps prevent wind and rain from entering vent
- opens with ease for maximum airflow
- durable weather resistant
- curved louvers for quieter operation

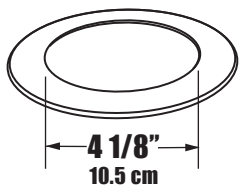
Hood Dia.	CFM	p/d in/w.c.
4" (10.2 cm)	50	.045
4" (10.2 cm)	75	.056
4" (10.2 cm)	100	.052
4" (10.2 cm)	125	.043
4" (10.2 cm)	150	.042
4" (10.2 cm)	200	.032

p/d in/w.c = pressure drop in inches of water column

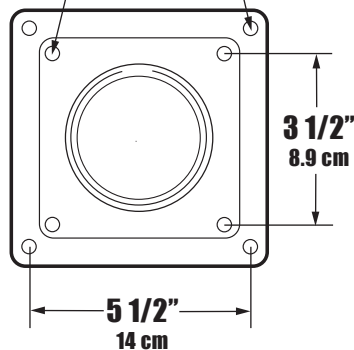


Can be mounted either inside or out

Molded for easy connection of pipe



Plastic collar



Rear View



Side View