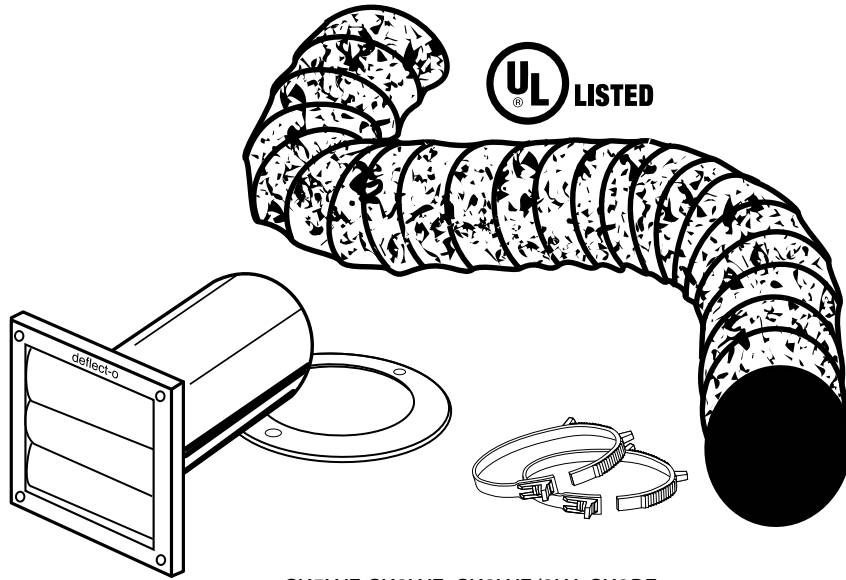


Dryer Vent Kit - Supurr-Vent[®] Louvered Vent Hood with pipe & collar, Supurr-Flex[®] UL Listed Clothes Dryer Transition Duct, (2) clamps



SK5WF, SK8WF, SK8WF/2W, SK8BF

Model No.	Description	Color
SK5WF	5 ft. Dryer Vent Kit	White
SK8WF	8 ft. Dryer Vent Kit	White
SK8WF/2W	8 ft. Dryer Vent Kit	White
SK8BF	8 ft. Dryer Vent Kit	Brown

Performance Data

for plastic molded louvered vent hoods

Hood

- Calcium filled Polypropylene
- Melting point: 325 °F / 163 C approx.
- UV Inhibitor added

Pipe

- Aluminum

Collar

- styrene

Clamps

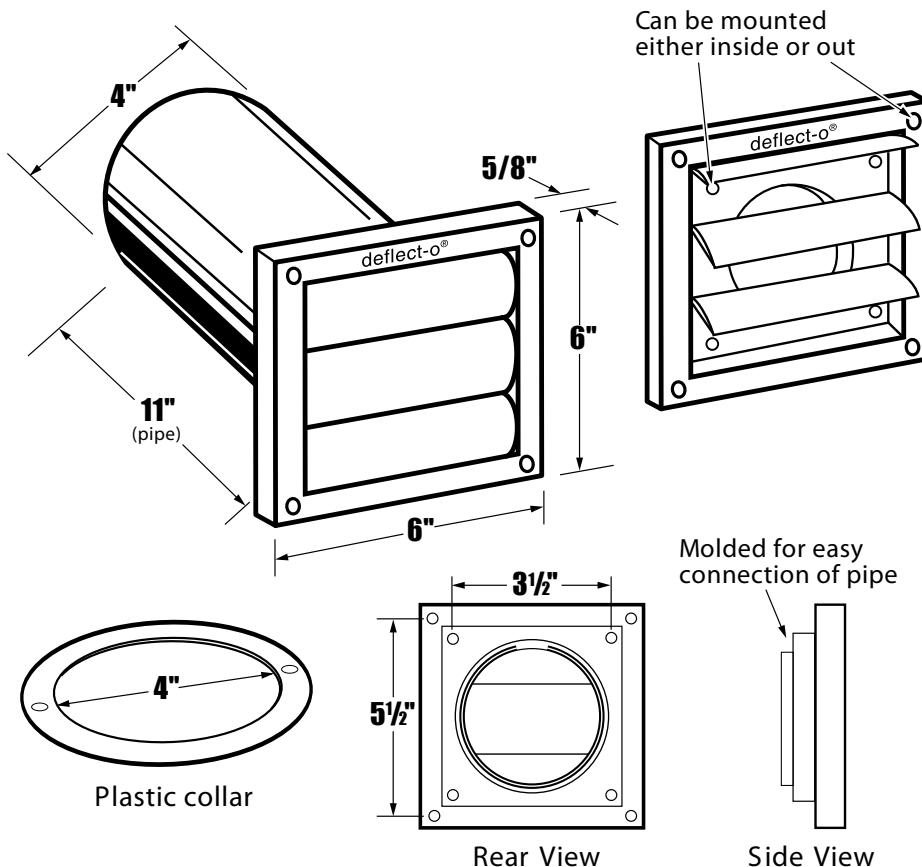
- 4" (10.1 cm) dia., polypropylene plastic

Duct

- UL Listed Clothes Dryer Transition Duct

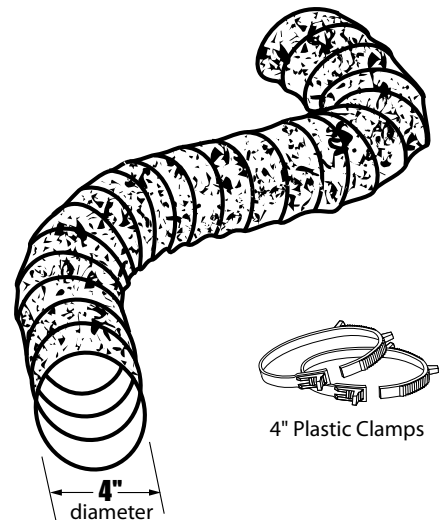
Operating Temperature Range

- 0 F to 265 F / -18 C to 130 C Intermittent



General Information

- fire resistant, flexible, easy to install
- UL Listed Supurr-Flex[®] Duct
- quick, easy installation kit
- duct clamps included
- durable, weather resistant hood
- Supurr-Vent[®] hood louvers operate quietly for maximum exhaust air flow and seals when not in operation to help prevent back drafts



Supurr-Flex[®] UL LISTED Clothes Dryer Transition Duct