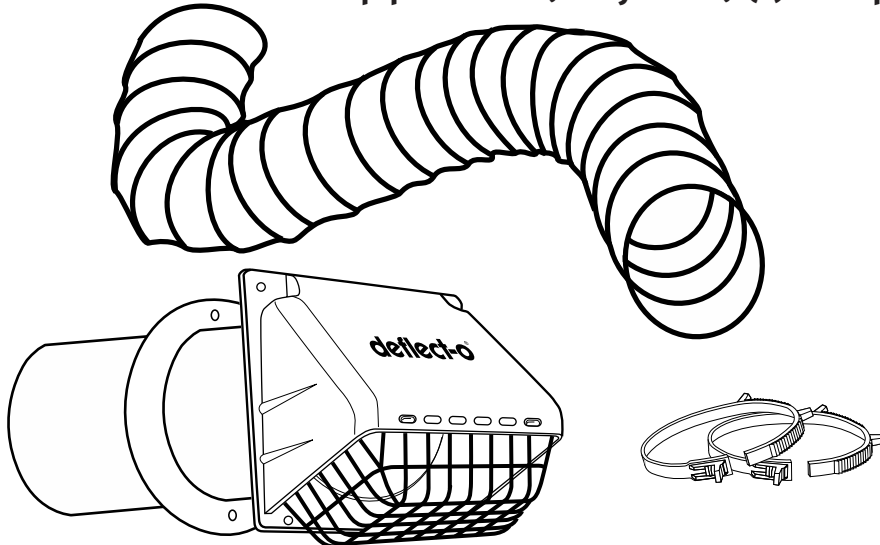


## Technical Product Specifications

**Vent Kit - Wide Mouth Hood, w/ removable bird guard, pipe & collar, vinyl duct, (2) clamps**



RK5W, RK8W, RX5W, RX8W

Model No.	Description	Color
RK5W	5 ft. Vent Kit	White
RK8W	8 ft. Vent Kit	White
RX5W	5 ft. Vent Kit	White
RX8W	8 ft. Vent Kit	White

### Performance Data

for plastic molded wide mouth vents

#### Hood

- Calcium filled Polypropylene
- Melting point: 325° F approx.
- UV Inhibitor added

#### Pipe

- Aluminum

#### Collar

- Styrene

#### Clamps

- 4" dia., polypropylene plastic

#### Duct

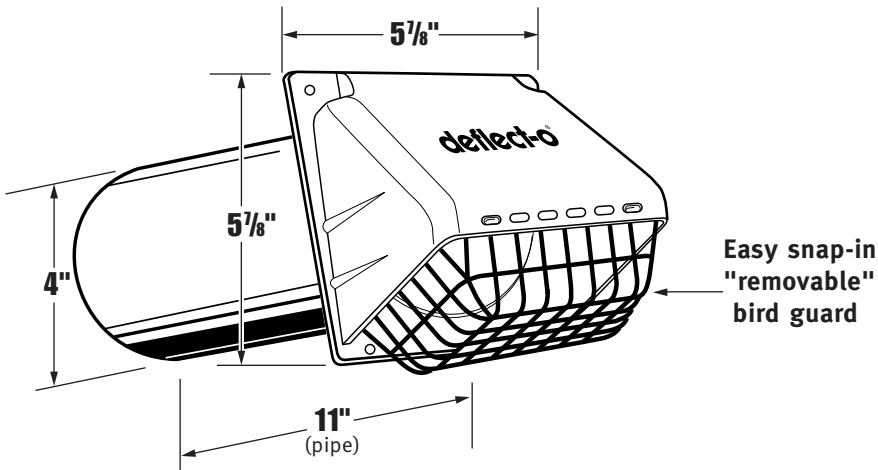
- flexible, vinyl duct

#### Operating Temperature Range

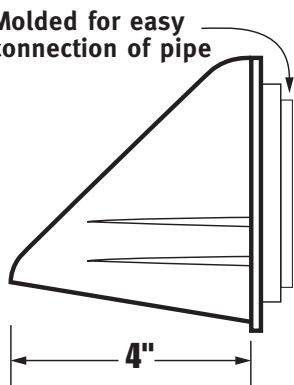
- 190°F approx.

### General Information

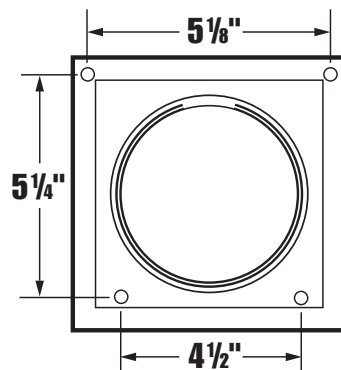
- not recommended for dryer venting
- flexible, easy to install vinyl duct
- quick, easy installation kit
- duct clamps included
- durable, weather resistant hood
- Wide mouth hood damper operates quietly for maximum exhaust air flow and seals when not in operation to help prevent back drafts
- removable bird guard helps prevent birds and rodents from entering home through your dryer vent



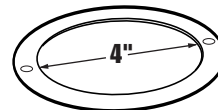
Molded for easy connection of pipe



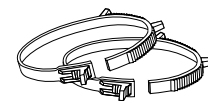
Side View



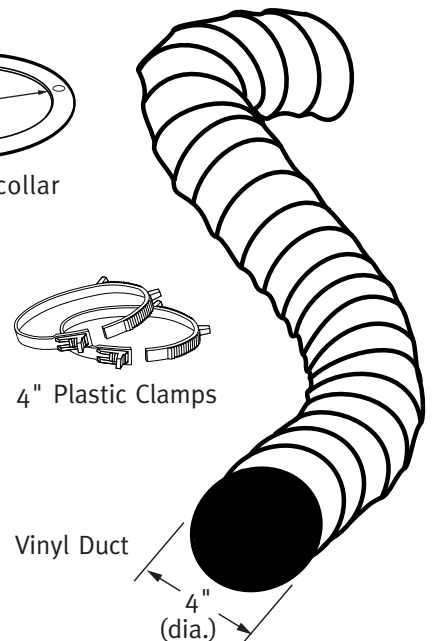
Rear View



Plastic collar



4" Plastic Clamps



Vinyl Duct

4" (dia.)