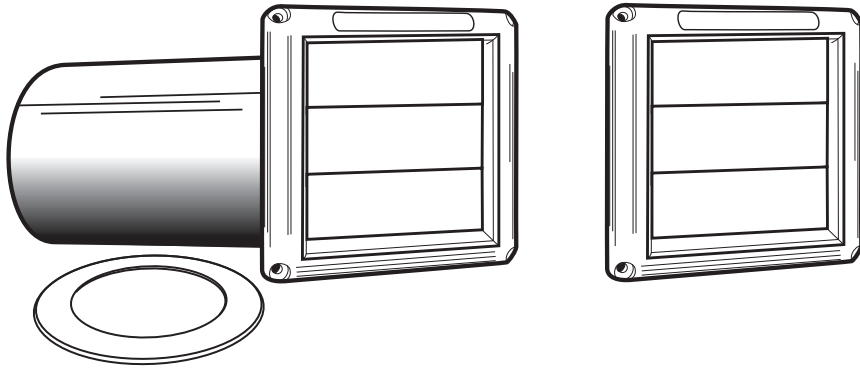


Bathroom Vent - 3" (7.6 cm) Supurr-Vent[®] Louvered Vent Hood, pipe & collar



SVHAW₃, SVHAB₃, SVHUW₃, SVHUB₃

HS₃W/48, HS₃B/48

Model No.	Description	Color
HS ₃ W/48	Hood	White
HS ₃ B/48	Hood	Brown
SVHAW ₃	Hood/pipe assem.	White
SVHAB ₃	Hood/pipe assem.	Brown
SVHUW ₃	Hood/pipe unassem.	White
SVHUB ₃	Hood/pipe unassem.	Brown

Performance Data

for all plastic molded 3" (7.6 cm) Bath Fan Vents

Hood

- Polypropylene
- Melting point: 325° F+ (163° C approx.)
- UV Inhibitor added

Pipe

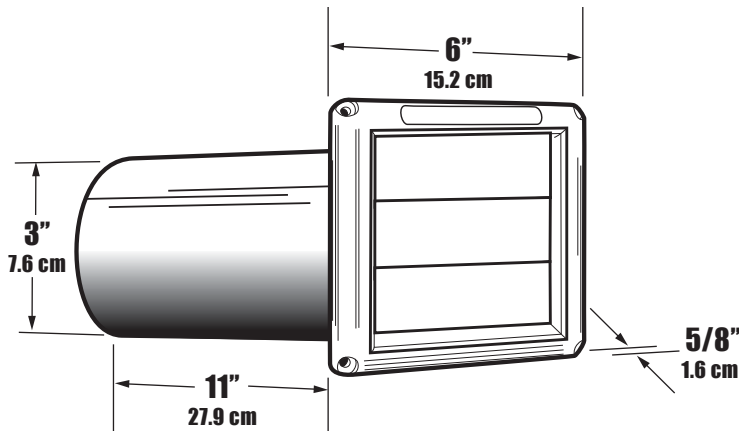
- Aluminum

Collar

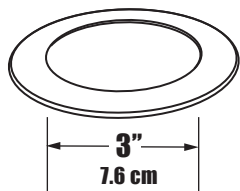
- Styrene

General Information

- 3" (7.6 cm) dia. opening
- quick, easy installation
- louvered construction helps prevent wind and rain from entering vent
- opens with ease for maximum airflow
- durable weather resistant
- curved louvers for quieter operation

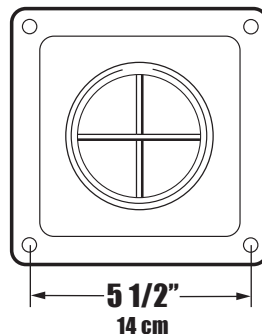


Hood Dia.	CFM	p/d in/w.c.
3" (7.6 cm)	50	.09
3" (7.6 cm)	75	.13
3" (7.6 cm)	100	.2
3" (7.6 cm)	125	.23
3" (7.6 cm)	150	.20



Plastic collar

Rear View



Molded for easy connection of pipe

Side View

