



Solid Plastic Seats Elongated Residential

1600



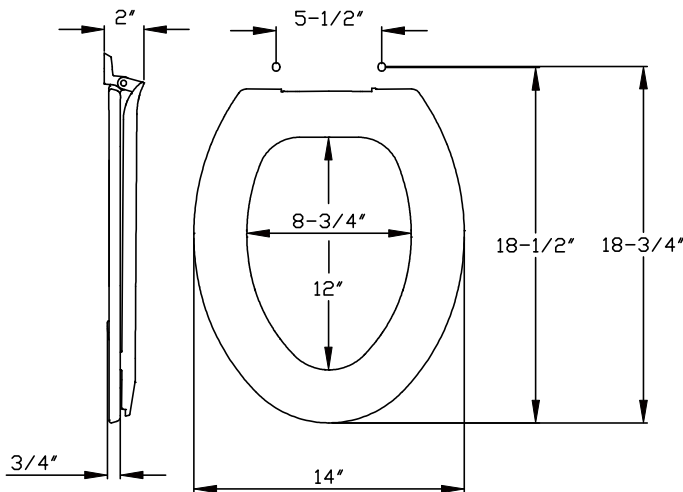
DETAILS

Closed front with cover for elongated bowl. Top-mount hinge.

Packed (8) to a master carton. Each seat is poly-bagged and bulk-packed in a master carton.

Standard Features:

- Impact-absorbing hinges
- Flat-bottom design
- Integrally-molded, permanent and sanitary color-keyed bumpers
- Corrosion-free hardware
- Withstands cleansers, strong chemicals



Dimensions shown are nominal and may vary within a range of tolerance.