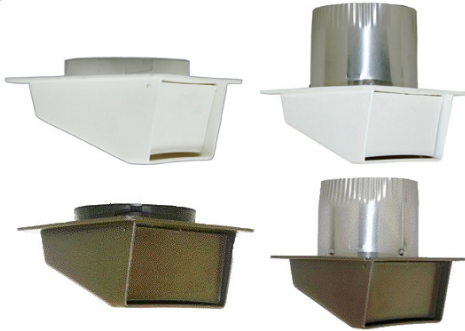




**Builder's Best, Inc.**  
 201 Broiles Drive  
 Jacksonville, TX 75766  
 888-368-7233  
 fax: 800-259-8368  
 www.BuildersBest.com

# PLASTIC EAVE VENT - EXHAUST

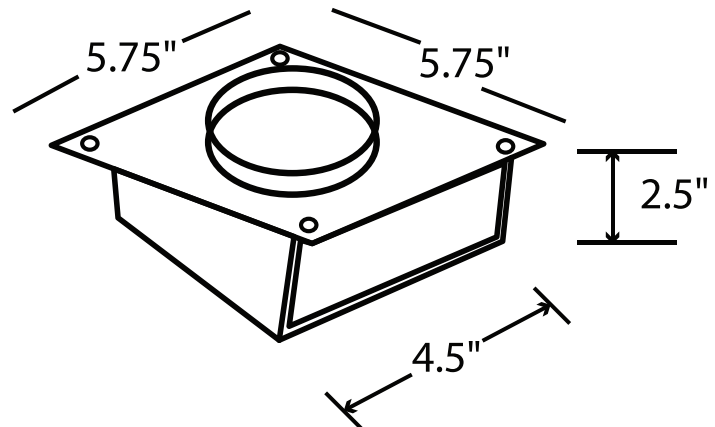
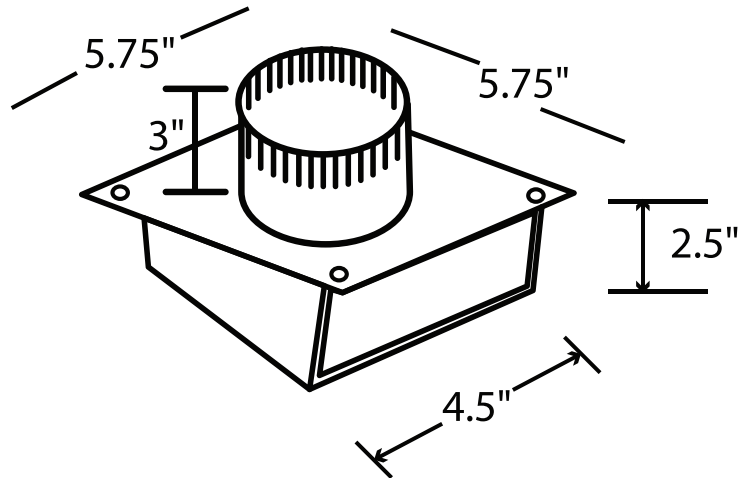


## PRODUCT SPECIFICATIONS

- Polypropylene molded plastic
- Pre-drilled mounting holes
- Back draft damper
- Locking ring connection on back
- Available with 3/4" connecting ring or 3" along aluminum tail
- Can be used for bathroom fan or dryer vent

## PART NUMBERS

Diameter	Color	Part #	Qty	Package
With 3/4" connecting ring:				
3"	White	111830	12	Bulk
	Brown	111831	12	Bulk
4"	White	111802	12	Bulk
	Brown	111803	12	Bulk
With 3" long aluminum tail:				
3"	White	111806	12	Bulk
	Brown	111807	12	Bulk
4"	White	111804	12	Bulk
	Brown	111805	12	Bulk



## LABELS



## WARRANTY

Manufacturer assumes no responsibility for failure due to improper installation. All specifications and designs are subject to change without notice and without incurring liability.

**WARRANTY EXCLUSION AND DISCLAIMER** Seller specifically excludes, and hereby disclaims any express representation or express warranty of any kind with respect to the goods ordered hereunder. All implied warranties, including without limitation merchantability or fitness for a particular purpose or arising from a course of dealing or usage or trade shall expire and cease 45 days after date of delivery. Seller shall not be liable to buyer or any third party for any special, secondary, incidental, or consequential damages however arising. Nothing in this provision shall invalidate or restrict any right or remedy otherwise available under state or federal law. Materials and specifications subject to change without notice.

