

PM390/PM250

Custom Hood Power Packs And Modules

High-performance ventilation solutions. These integrated units provide the ventilation and lighting you need for your custom application.



Model PM390 shown.

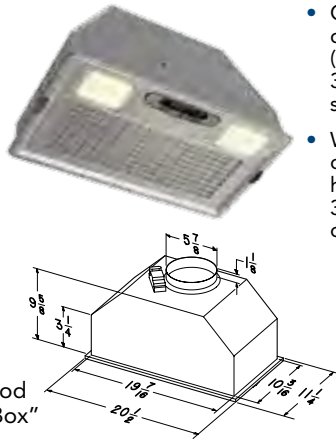


Power Packs and Modules are completely concealed in custom cabinetry.

SILVER
20-1/2" PM390
20-1/2" PM250

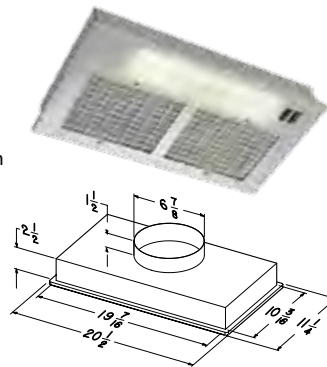
MODEL PM390

- Silver paint finish.
- Three speed, slide control.
- Heat Sentry™ detects excessive heat and adjusts speed automatically.
- Quiet centrifugal blower, 390 CFM (vertical discharge) (<300 CFM with ARP6).
- Dual 40-watt lamps (purchase separately).
- Dishwasher safe aluminum filter.
- For ducted installations, includes adapter and damper for 6" round duct.
- Optional non-ducted filter kit (purchase 357NDK separately).
- Works with optional custom hood liners in 30", 36", "Box" or "T" design.
- ENERGY STAR® version on page 33.



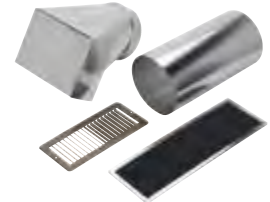
MODEL PM250

- Silver paint finish.
- Two speed motor, rocker control.
- Efficient 250 CFM fan (vertical discharge).
- Dual 40-watt lighting (purchase lamps separately).
- Dishwasher safe aluminum filter.
- For ducted installations, built-in adapter for 7" round duct.
- Optional non-ducted filter kit (purchase 356NDK separately).
- Works with optional custom hood liners in 30", 36", "Box" or "T" design.

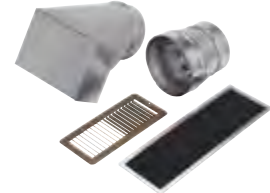


NON-DUCT KITS

MODEL 356NDK

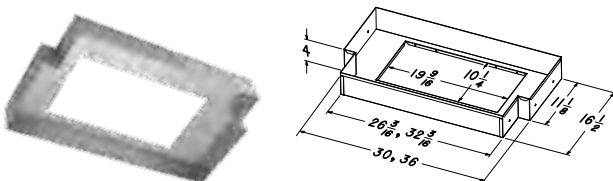


MODEL 357NDK

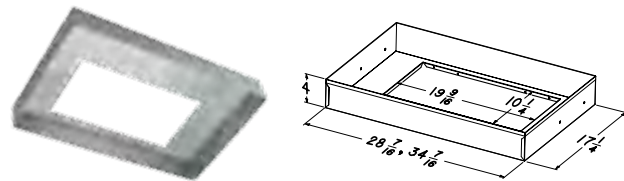


Depending on your installation of the non-duct system, you may need additional duct or duct components (e.g., elbows).

PM390 & PM250 Liners: Broan "T" and "B" liners provide an elegant way to finish a traditional wood hood and protect cabinetry. They feature a durable silver painted finish and a 4" depth for good capture. Hemmed edges hide exposed edges, and pre-drilled mounting holes make installation easy.



LT30 & 36 "T" liners work with wood hoods that are integrated with adjacent 12" deep cabinets.



LB30 & 36 "B" (box) liners fit into 18" deep wood hoods or cabinet bottoms.

SPECIFICATIONS

SPECIFICATIONS					OPTIONAL ACCESSORIES						
Width	CFM	Sones	Volts	Amps	Duct	Non-ducted Kit†	Aluminum Filter	Charcoal Filter	30" Liners	36" Liners	Make-up Air Damper
20-1/2"	390*	6.0	120	2.9	6" RD	357NDK	99010370	B08999040	LT30 or LB30	LT36 or LB36	MD6TU, MD8TU, MD10TU
	250	8.0		2.1	7" RD	356NDK					

† Includes charcoal filter. Some duct work is required for non-ducted applications.
* 299 CFM max with ARP310 reducer plate option.

