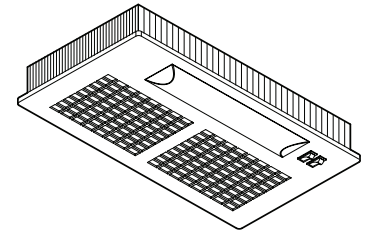


MODEL PM250 POWER PACK



FEATURES

- Two-speed motor
- Rocker switch controls
- 6⁷/₈" Fan, 250 CFM, 8.0 Sones
- 7" round ducted or non-ducted discharge
- Enclosed light
- Accepts two incandescent max. 40-watt candelabra bulb (not included)
- One-piece, washable aluminum mesh filter
- Durable, powder coated silver finish
- Fully enclosed bottom
- One Year Limited Warranty
- Recommended for use with Models LB30, LB36, LT30, and LT36 Liners

OPTIONAL ACCESSORIES:

- Model 356NDK Non-ducted recirculating kit (includes charcoal filter, soffit grille, 90° stack boot, and 7" round duct)
- Disposable charcoal filter kit - part no. B08999040

SPECIFICATIONS

VOLTS	AMPS	CFM	SONES	DUCT
120	2.1	250	8.0	7-in. round



TYPICAL SPECIFICATION

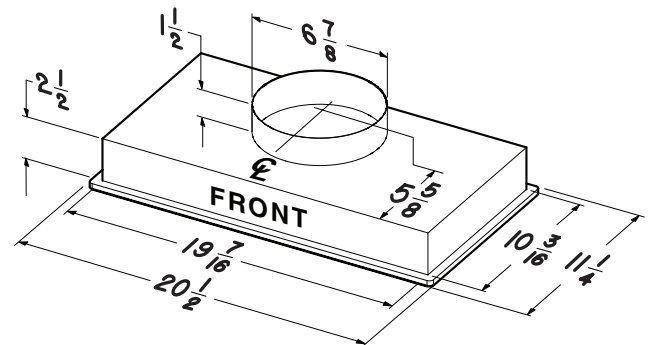
Power Pack shall be Broan[®] (NuTone[®]) Model PM250. Power Pack shall have a two-speed motor and enclosed light, controlled by rocker switches.

Fan must be convertible between ducted and non-ducted discharge. Ducted mode uses 7" duct and washable aluminum mesh filter. Non-ducted mode uses optional, disposable charcoal filter.

Unit shall have a durable, powder coated finish.

Air delivery to be at least 250 CFM and sound levels not greater than 8.0 Sones.

Unit shall be UL & cUL listed.



HVI-2100 CERTIFIED RATINGS comply with new testing technologies and procedures prescribed by the Home Ventilating Institute, for off-the-shelf products, as they are available to consumers. Product performance is rated at 0.1 in. static pressure, based on tests conducted in a state-of-the-art test laboratory. Sones are a measure of humanly-perceived loudness, based on laboratory measurements.

Broan-NuTone LLC Hartford, Wisconsin www.broan.com 800-558-1711
Broan-NuTone Canada, Inc. Mississauga, Ontario www.broan.ca 877-896-1119

REFERENCE	QTY.	REMARKS	Project
			Location
			Architect
			Engineer
			Contractor
			Submitted by Date