


For Residential and Commercial Applications

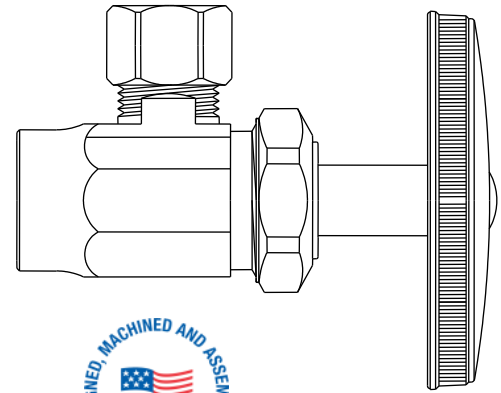
Job Name		Engineer / Architect	
Job Location		Wholesaler	
Submittal Date		Contractor	

R1B/R09/R19/R39 Multi-Turn Angle Stop – Sweat x Compression

Use: For use with water in accessible locations only. Not intended for recirculating water systems that produce continuous use temperatures above 115° F. For those applications, use our KT™ series ball stops.

Design Features:

- **Machined one-piece brass body** provides strength, durability, and long-lasting performance
- **Oval knurled handle** provides a secure grip and smooth on/off operation
- **Easy-to-remove handle** with screw attachment protects accidental stop operation during rough-ins
-  **No Lead**



Operating Specifications:

Temperature: 40° - 140° F
Pressure: 125 PSI maximum

Standard

STOP MATERIAL SPECIFICATIONS	
Body	Brass or brass, chrome plated
Stem	Brass; or brass, chrome plated
Bib & Packing Washers	Rubber
Packing Nut	Brass or brass, chrome plated
Handle	Metal or metal, chrome plated
Handle Screw	Steel, plated
Compression Sleeve	Brass
Compression Nut	Brass or brass, chrome plated
Loose Key *	Zinc die cast
Lock Shield *	Brass, chrome plated
Loose Key Stem *	Brass or brass, plated

No Lead

STOP MATERIAL SPECIFICATIONS	
Body	No Lead brass or No Lead brass, chrome plated
Stem	No Lead brass; or No Lead brass, chrome plated
Bib & Packing Washers	Rubber
Packing Nut	Brass or brass, chrome plated
Handle	Metal or metal, chrome plated
Handle Screw	Steel, plated
Compression Sleeve	Brass
Compression Nut	Brass or brass, chrome plated

Standard Part Listing:

- R1B C 3/8" nom sweat x 3/8" OD compression, chrome plated
- R09 C 1/2" nom sweat x 1/4" OD compression, chrome plated
- R09 C1 1/2" nom sweat x 1/4" OD compression, chrome plated, window tray

This specification and all information contained herein is the confidential and exclusive property of BrassCraft Manufacturing, and shall not be disclosed to others without the written consent of BrassCraft Mfg. This specification must be returned to BrassCraft Mfg if requested.



R1B/R09/R19/R39 Multi-Turn Angle Stop – Sweat x Compression

Standard Part Listing Con't:

<input type="checkbox"/>	R09 CBT	1/2" nom sweat x 1/4" OD compression, chrome plated, plain tray, bulk
<input type="checkbox"/>	R09 R	1/2" nom sweat x 1/4" OD compression, rough brass
<input type="checkbox"/>	R09 R1	1/2" nom sweat x 1/4" OD compression, rough brass, window tray
<input type="checkbox"/>	R19 C	1/2" nom sweat x 3/8" OD compression, chrome plated
<input type="checkbox"/>	R19 C1	1/2" nom sweat x 3/8" OD compression, chrome plated, window tray
<input type="checkbox"/>	R19 CBT	1/2" nom sweat x 3/8" OD compression, chrome plated, plain tray, bulk
<input type="checkbox"/>	R19 CD	1/2" nom sweat x 3/8" OD compression, chrome plated, carded
<input type="checkbox"/>	R19 CH	1/2" nom sweat x 3/8" OD compression, chrome plated
<input type="checkbox"/>	R19 R	1/2" nom sweat x 3/8" OD compression, rough brass
<input type="checkbox"/>	R19 R1	1/2" nom sweat x 3/8" OD compression, rough brass, window tray
<input type="checkbox"/>	R19 RBT	1/2" nom sweat x 3/8" OD compression, rough brass, plain tray, bulk
<input type="checkbox"/>	R19P C	1/2" nom sweat x 3/8" OD compression, pre-assembled, chrome plated
<input type="checkbox"/>	R19P R	1/2" nom sweat x 3/8" OD compression, pre-assembled, rough brass
<input type="checkbox"/>	R39 C	1/2" nom sweat x 1/2" OD compression, chrome plated
<input type="checkbox"/>	R39 C1	1/2" nom sweat x 1/2" OD compression, chrome plated, window tray
<input type="checkbox"/>	R39 R	1/2" nom sweat x 1/2" OD compression, rough brass
<input type="checkbox"/>	SR19 C	1/2" nom sweat x 3/8" OD compression, loose key, chrome plated
<input type="checkbox"/>	SR19 R	1/2" nom sweat x 3/8" OD compression, loose key, rough brass
<input type="checkbox"/>	SR1B C	3/8" nom sweat x 3/8" OD compression, loose key, chrome plated
<input type="checkbox"/>	SR39 C	1/2" nom sweat x 1/2" OD compression, loose key, chrome plated
<input type="checkbox"/>	XR19 C	1/2" nom sweat x 3/8" OD compression, cross handle, chrome plated
<input type="checkbox"/>	XR19 R	1/2" nom sweat x 3/8" OD compression, cross handle, rough brass

No Lead Part Listing:

<input type="checkbox"/>	R1BX C	3/8" nom sweat x 3/8" OD compression, chrome plated
<input type="checkbox"/>	R09X C	1/2" nom sweat x 1/4" OD compression, chrome plated
<input type="checkbox"/>	R09X C1	1/2" nom sweat x 1/4" OD compression, chrome plated, window tray
<input type="checkbox"/>	R09X CBT	1/2" nom sweat x 1/4" OD compression, chrome plated, plain tray, bulk
<input type="checkbox"/>	R09X R	1/2" nom sweat x 1/4" OD compression, rough brass
<input type="checkbox"/>	R09X R1	1/2" nom sweat x 1/4" OD compression, rough brass, window tray
<input type="checkbox"/>	R19X C	1/2" nom sweat x 3/8" OD compression, chrome plated
<input type="checkbox"/>	R19X C1	1/2" nom sweat x 3/8" OD compression, chrome plated, window tray
<input type="checkbox"/>	R19X CBT	1/2" nom sweat x 3/8" OD compression, chrome plated, plain tray, bulk
<input type="checkbox"/>	R19X CD	1/2" nom sweat x 3/8" OD compression, chrome plated, carded
<input type="checkbox"/>	R19X CH	1/2" nom sweat x 3/8" OD compression, chrome plated
<input type="checkbox"/>	R19X R	1/2" nom sweat x 3/8" OD compression, rough brass

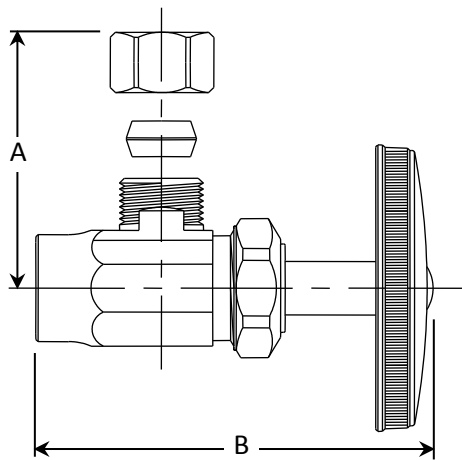
This specification and all information contained herein is the confidential and exclusive property of BrassCraft Manufacturing, and shall not be disclosed to others without the written consent of BrassCraft Mfg. This specification must be returned to BrassCraft Mfg if requested.

BrassCraft[®]

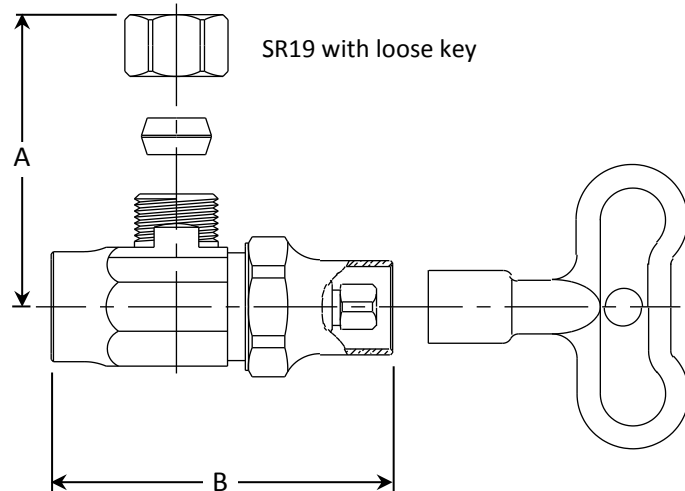
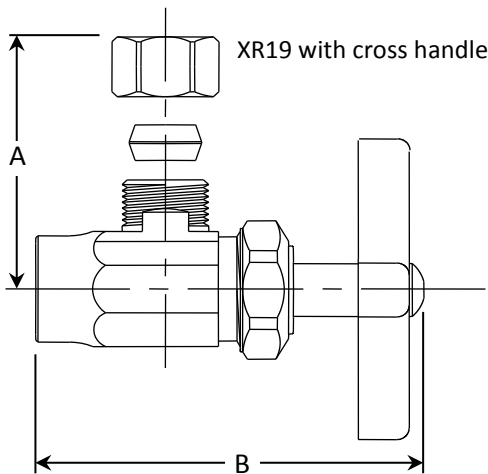
R1B/R09/R19/R39 Multi-Turn Angle Stop – Sweat x Compression

No Lead Part Listing Con't:

- R19X R1 1/2" nom sweat x 3/8" OD compression, rough brass, window tray
- R19X RBT 1/2" nom sweat x 3/8" OD compression, rough brass, plain tray, bulk
- R39X C 1/2" nom sweat x 1/2" OD compression, chrome plated
- R39X C1 1/2" nom sweat x 1/2" OD compression, chrome plated, window tray
- R39X R 1/2" nom sweat x 1/2" OD compression, rough brass
- SR19X C 1/2" nom sweat x 3/8" OD compression, loose key, chrome plated
- SR19X R 1/2" nom sweat x 3/8" OD compression, loose key, rough brass
- SR1BX C 3/8" nom sweat x 3/8" OD compression, loose key, chrome plated
- SR39X C 1/2" nom sweat x 1/2" OD compression, loose key, chrome plated
- XR19X C 1/2" nom sweat x 3/8" OD compression, cross handle, chrome plated



PART DIMENSIONS (Inches)		
Model	DIM. A	DIM. B
R1B	1.02	2.56
R09	1.02	2.50
R19	1.02	2.50
R39	1.15	2.50
SR19	1.02	2.29
XR19	1.02	2.50



Listings & Certifications:

- IAPMO listed to ASME A112.18.1 / CSA B125.1 (File # 0645)
- CSA listed to ASME A112.18.1 / CSA B125.1 (File # 204593)
- No Lead product CSA listed to Low Lead Content Certification Program – Plumbing Products Class 6853-01



This specification and all information contained herein is the confidential and exclusive property of BrassCraft Manufacturing, and shall not be disclosed to others without the written consent of BrassCraft Mfg. This specification must be returned to BrassCraft Mfg if requested.

BrassCraft®