

**For Residential and Commercial Applications**

Job Name		Engineer / Architect	
Job Location		Wholesaler	
Submittal Date		Contractor	

## PNEV-NCV Self Piercing Needle Valve Kit

**Use:** For use with automotive & industrial applications for instrumentation, hydraulic and pneumatic systems. Not intended for use with natural gas, LPG (liquefied petroleum gas or propane), nuclear or avionic (aircraft) applications

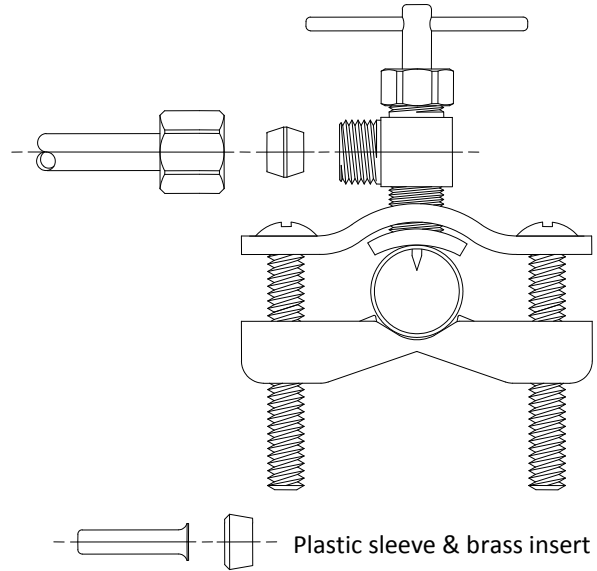
**Operating Specifications:**

**Temperature:** -65° to 250° F  
**Water Applications** 40° to 140° F  
 115° F maximum continuous use temperature

**Working Pressure:** Up to 150 PSI  
**Tubing Diameter:** Use with 3/8" to 1" OD tubing

**Design Features:**

- **Positive sealing & flow adjustment** up to the capacity of the valve
- **Metal-to-metal seats** with a fine thread engagement
- **Compliant needle valve options** available for California and Vermont "low-lead" requirements



**Standard**

MATERIAL SPECIFICATIONS	
<b>Valve Body</b>	C36000 brass
<b>Saddle Clamp</b>	Zinc die coated steel
<b>Piercing Needle</b>	Steel
<b>Screws</b>	Zinc die coated steel
<b>Compression Nut</b>	C36000 brass
<b>Compression Sleeve</b>	C36000 brass
<b>Plastic Sleeve</b>	Acetal
<b>Insert</b>	Compliant brass

**Compliant**

MATERIAL SPECIFICATIONS	
<b>Valve Body</b>	Compliant brass
<b>Saddle Clamp</b>	Zinc die coated steel
<b>Piercing Needle</b>	Steel
<b>Screws</b>	Zinc die coated steel
<b>Compression Nut</b>	C36000 brass
<b>Compression Sleeve</b>	C36000 brass
<b>Plastic Sleeve</b>	Acetal
<b>Insert</b>	Compliant brass

**Standard Part Listing:**

- PNEV-NCV 1/4" OD Compression outlet. Kit contains: needle valve, saddle clamp, (2) nuts, (2) bolts, washers, brass compression sleeve for copper installations & plastic sleeve/brass insert for plastic tube installations

**Compliant Part Listing:**

- PNEV-NCVX (see above)

**Listings & Certifications:**

- Compliant product CSA approved to California Health & Safety Code and Vermont Bill S.152 (Project # 2174785)



*This specification and all information contained herein is the confidential and exclusive property of BrassCraft Manufacturing, and shall not be disclosed to others without the written consent of BrassCraft. This specification must be returned to BrassCraft if requested.*

