

For Residential and Commercial Applications

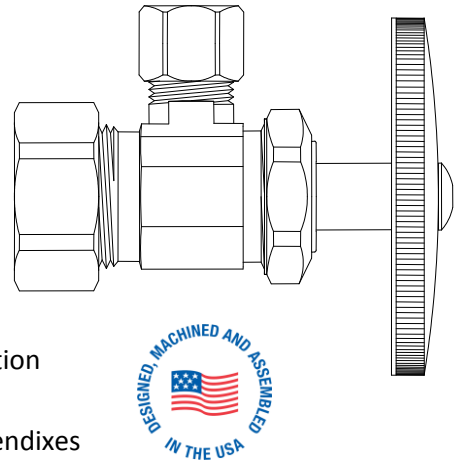
| | | | |
|----------------|--|----------------------|--|
| Job Name | | Engineer / Architect | |
| Job Location | | Wholesaler | |
| Submittal Date | | Contractor | |

OCR1BX/3BX/09X/19/19X/29X/39X/49X Multi-Turn Angle Stop – Compression x Compression

Use: For use in potable water distribution systems. Not intended for recirculating water systems that produce continuous use temperatures above 115° F. For those applications, use our KT™ series ball stops.

Design Features:

- **Machined one-piece brass body** provides strength, durability, and long-lasting performance
- **Oval knurled handle** provides a secure grip and smooth on/off operation
- **Easy-to-remove handle** with screw attachment helps protect against accidental stop operation during rough-ins
- **No Lead**
- **For use with** ASTM F876 PEX tubing, in ASTM F877 water distribution systems (parts containing PX and PXX only)
- **For use in** ASTM F877 water distribution systems as noted in Appendixes (parts containing PX and PXX only)



Operating Specifications:

Temperature: 40°- 140° F
Pressure: 125 PSI maximum

Standard Product

| STOP MATERIAL SPECIFICATIONS | |
|---------------------------------|--|
| Body | Brass or brass, chrome plated |
| Stem | POM; brass; or brass, chrome plated |
| Bib & Packing Washer | Rubber |
| Packing Nut | Brass or brass, chrome plated |
| Handle | Zinc, die cast plated; ABS, plated; or Polycarbonate |
| Handle Screw | Zinc-plated steel |
| Compression Nut | Brass or brass, chrome plated |
| Compression Sleeve | Brass |
| PEX Insert* | Stainless steel |

No-Lead Product

| STOP MATERIAL SPECIFICATIONS | |
|---------------------------------|--|
| Body | No-Lead brass or No-Lead brass, chrome plated |
| Stem | POM; No-Lead brass; or No-Lead brass, chrome plated |
| Bib & Packing Washer | Rubber |
| Packing Nut | Brass or brass, chrome plated |
| Handle | Zinc, die cast plated; ABS, plated; or Polycarbonate |
| Handle Screw | Zinc-plated steel |
| Compression Nut | Brass or brass, chrome plated |
| Compression Sleeve | Brass |
| PEX Insert* | Stainless steel |

*Where specified

This specification and all information contained herein is the confidential and exclusive property of BrassCraft Manufacturing, and shall not be disclosed to others without the written consent of BrassCraft Mfg. This specification must be returned to BrassCraft Mfg. if requested.



OCR1BX/3BX/09X/19/19X/29X/39X/49X Multi-Turn Angle Stop – Compression x Compression

Standard Part Listing:

- OCR19 C 1/2" nom compression x 3/8" OD compression, chrome plated
- OCR19L1 CB 1/2" nom compression x 3/8" OD compression, less outlet nut, chrome plated, bulk
- OCR19TZ CB 1/2" nom compression x 3/8" OD compression, chrome plated, no tray, bulk

No-Lead Part Listing:

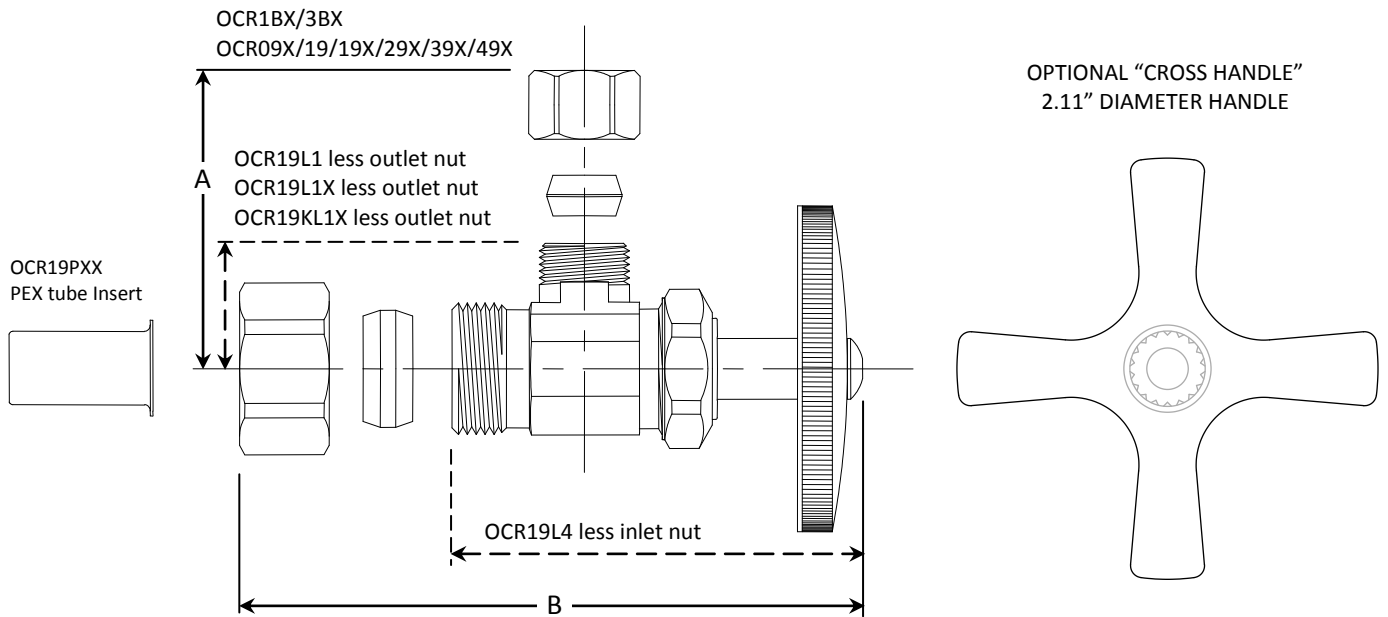
- OCR1BX C 3/8" nom compression x 3/8" OD compression, chrome plated
- OCR1BX C1 3/8" nom compression x 3/8" OD compression, chrome plated, window box
- OCR3BX C 3/8" nom compression x 1/2" OD compression, chrome plated
- OCR09X C 1/2" nom compression x 1/4" OD compression, chrome plated
- OCR09X C1 1/2" nom compression x 1/4" OD compression, chrome plated, window box
- OCR09X CBT 1/2" nom compression x 1/4" OD compression, chrome plated, bulk
- OCR09X R 1/2" nom compression x 1/4" OD compression, rough brass
- OCR09ZX C 1/2" nom compression x 1/4" OD compression, brass stem, chrome plated
- OCR19X C 1/2" nom compression x 3/8" OD compression, chrome plated
- OCR19X C1 1/2" nom compression x 3/8" OD compression, chrome plated, window box
- OCR19X R 1/2" nom compression x 3/8" OD compression, rough brass
- OCR19X R1 1/2" nom compression x 3/8" OD compression, rough brass, window box
- OCR19X BZ 1/2" nom compression x 3/8" OD compression, oil rubbed bronze
- OCR19X NP 1/2" nom compression x 3/8" OD compression, polished nickel
- OCR19X NS 1/2" nom compression x 3/8" OD compression, satin nickel
- OCR19X P 1/2" nom compression x 3/8" OD compression, polished brass
- OCR19KL1X CB 1/2" nom compression x 3/8" OD compression, less outlet nut, plastic handle, chrome plated, bulk
- OCR19L1X CB 1/2" nom compression x 3/8" OD compression, less outlet nut, chrome plated, bulk
- OCR19L1X RB 1/2" nom compression x 3/8" OD compression, less outlet nut, rough brass, bulk
- OCR19L4X C100T 1/2" nom compression x 3/8" OD compression, less inlet nut, chrome plated, 100 per case
- OCR19PXX C 1/2" nom compression x 3/8" OD compression, PEX stainless steel insert, chrome plated
- OCR19PXX R 1/2" nom compression x 3/8" OD compression, PEX stainless steel insert, rough brass
- OCR19TZX CB 1/2" nom compression x 3/8" OD compression, chrome plated, no tray, bulk
- OCR19TX CB 1/2" nom compression x 3/8" OD compression, chrome plated, no tray, bulk
- OCR19ZX C 1/2" nom compression x 3/8" OD compression, brass stem, chrome plated
- OCR19ZX R 1/2" nom compression x 3/8" OD compression, brass stem, rough brass
- OCR29X C 1/2" nom compression x 7/16" OD compression, chrome plated
- OCR29X C1 1/2" nom compression x 7/16" OD compression, chrome plated, window box
- OCR29X R 1/2" nom compression x 7/16" OD compression, rough brass
- OCR39X C 1/2" nom compression x 1/2" OD compression, chrome plated
- OCR39X CBT 1/2" nom compression x 1/2" OD compression, chrome plated, bulk
- OCR39X C1 1/2" nom compression x 1/2" OD compression, chrome plated, window box
- OCR39X R 1/2" nom compression x 1/2" OD compression, rough brass
- OCR49X C 1/2" nom compression x 5/8" OD compression, chrome plated
- XCR19X C 1/2" nom compression x 3/8" OD compression, cross handle, chrome plated

This specification and all information contained herein is the confidential and exclusive property of BrassCraft Manufacturing, and shall not be disclosed to others without the written consent of BrassCraft Mfg. This specification must be returned to BrassCraft Mfg. if requested.

BrassCraft®

OCR1BX/3BX/09X/19/19X/29X/39X/49X Multi-Turn Angle Stop – Compression x Compression

| PART DIMENSIONS (Inches) | | |
|---------------------------------|--------------|--------------|
| Model | DIM A | DIM B |
| OCR1BX | 1.02 | 2.75 |
| OCR3BX | 1.11 | 2.75 |
| OCR09X | 1.02 | 2.75 |
| OCR19 | 1.02 | 2.75 |
| OCR19X | 1.02 | 2.75 |
| OCR19KL1X | 1.02 | 2.75 |
| OCR19L1 | 0.74 | 2.75 |
| OCR19L1X | 0.74 | 2.75 |
| OCR19L4X | 1.02 | 2.41 |
| OCR19PXX | 1.02 | 2.41 |
| OCR29X | 1.18 | 2.85 |
| OCR39X | 1.11 | 2.85 |
| OCR49X | 1.18 | 2.97 |
| XCR19X | 1.02 | 2.75 |



Listings & Certifications:

- IAPMO listed to ASME A112.18.1 / CSA B125.1 (File # 0645)
- CSA listed to ASME A112.18.1 / CSA B125.1 (File # 204593)
- No-Lead product CSA listed to Low Lead Content Certification Program – Plumbing Products Class 6853-01



This specification and all information contained herein is the confidential and exclusive property of BrassCraft Manufacturing, and shall not be disclosed to others without the written consent of BrassCraft Mfg. This specification must be returned to BrassCraft Mfg. if requested.

