

For Residential and Commercial Applications

Job Name		Engineer / Architect	
Job Location		Wholesaler	
Submittal Date		Contractor	

NV105 Straight Needle Valve – Compression x Compression

Use: Use with automotive & industrial applications for instrumentation, hydraulic and pneumatic systems. Not intended for use with natural gas, LPG (liquefied petroleum gas or propane), nuclear or avionic (aircraft) applications

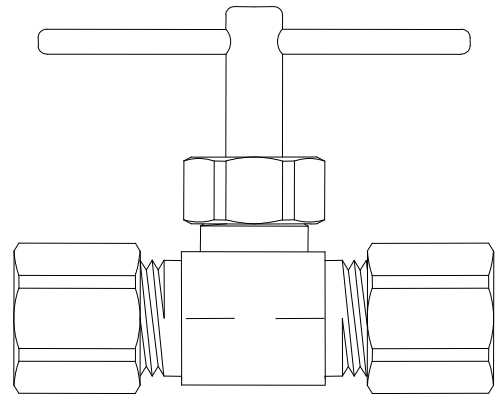
Operating Specifications:

Temperature: -65° to 250° F
Water Applications 40° to 140° F
 115° F maximum continuous use temperature

Working Pressure: Up to 150 PSI

Design Features:

- **Positive sealing & flow adjustment** up to the capacity of the valve
- **Metal-to-metal seats** with a fine thread engagement
- **Compliant needle valve options** available for California and Vermont “low-lead” requirements



Standard

MATERIAL SPECIFICATIONS	
Valve Body	C36000 brass
Stem	C36000 brass
Handle	Steel
Packing Nut	C36000 brass
Packing Washer	EPDM
Compression Nuts	C36000 brass
Compression Sleeves	C36000 brass

Compliant

MATERIAL SPECIFICATIONS	
Valve Body	Compliant brass
Stem	Compliant brass
Handle	Steel
Packing Nut	C36000 brass
Packing Washer	EPDM
Compression Nuts	C36000 brass
Compression Sleeves	C36000 brass

Standard Part Listing:

- NV105-3 3/16" OD Tube, both ends
- NV105-3 B 3/16" OD Tube, both ends, bulk
- NV105-6 B 3/8" OD Tube, both ends, bulk
- NV105-4 1/4" OD Tube, both ends
- NV105-4 B 1/4" OD Tube, both ends, bulk
- NV105-6 3/8" OD Tube, both ends

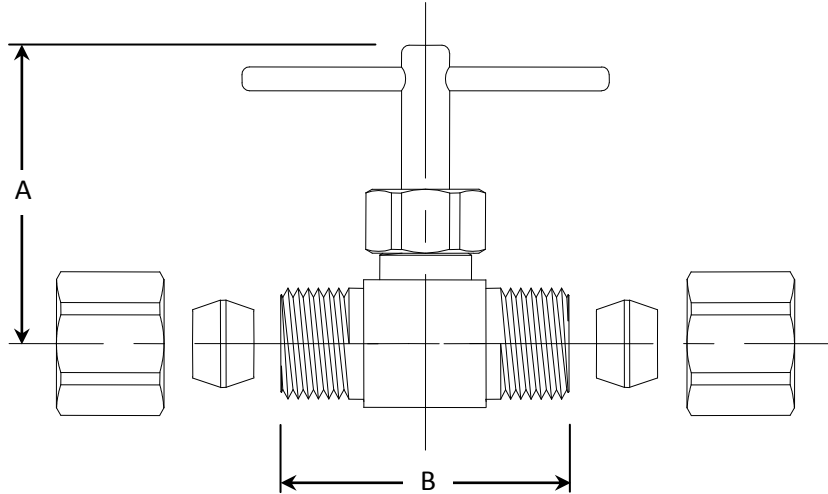
This specification and all information contained herein is the confidential and exclusive property of BrassCraft Manufacturing, and shall not be disclosed to others without the written consent of BrassCraft. This specification must be returned to BrassCraft if requested.



NV105 Straight Needle Valve – Compression x Compression

Compliant Part Listing:

- NV105-4X 1/4" OD Tube, both ends
- NV105-6X 3/8" OD Tube, both ends



PART DIMENSIONS (Inches)		
Model	DIM. A (Closed)	DIM. B
NV105-3	.88	1.06
NV105-4	1.18	1.18
NV105-6	1.31	1.37

Listings & Certifications:

- Compliant product CSA approved to California Health & Safety Code 116875 and Vermont Bill S.152 (Project # 2174785)

