

For Residential and Commercial Applications

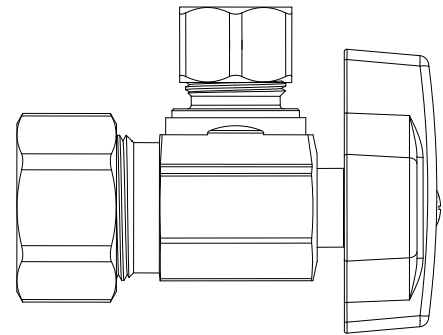
Job Name		Engineer / Architect	
Job Location		Wholesaler	
Submittal Date		Contractor	

KTCR09/ KTCR19/ KTCR39 1/4 Turn Angle Ball Stop – Compression x Compression

Use: For use in potable water distribution systems

Design Features:

- **Precision-machined brass ball** is specially engineered and mated with PTFE seats to provide smooth operation without freeze ups even after long periods of non-use
- **TWO high-performance o-rings** withstand high temperatures and corrosion from harsh water environments
- **Machined one-piece brass body** provides strength, durability and long-lasting performance
- **Blow-out proof brass stem** is assembled from the inside out with two o-rings to ensure safe, reliable performance
- **Plated stem** provides corrosion resistance and prevents o-ring damage after long periods of non-use
- **Patented, chrome plated metal handle** is designed for durability, corrosion resistance & a sleek appearance
- **Easy-to-remove handle** with screw attachment protects accidental stop operation during rough-ins
- **100% leak tested**
- **Compliant KT Stops** available for California and Vermont “low-lead” requirements



Operating Specifications:

Temperature: 40° - 180° F
Pressure: 125 psi maximum

Standard

MATERIAL SPECIFICATIONS	
Valve Body	C36000 brass
Stem	DZR brass, plated
Seats	PTFE
Ball	C36000 brass, precision machined
Stem O-rings	Viton* & Nitrile
Handle	Zinc die cast
Screw	Zinc-plated steel
Compression Sleeve	C36000 brass
Compression Nut	C36000 brass

Compliant

MATERIAL SPECIFICATIONS	
Valve Body	Compliant brass
Stem	Compliant brass, plated
Seats	PTFE
Ball	Compliant brass, precision machined
Stem O-ring	Viton* & Nitrile
Handle	Zinc die cast
Screw	Zinc-plated steel
Compression Sleeve	C36000 brass
Compression Nut	C36000 brass

This specification and all information contained herein is the confidential and exclusive property of BrassCraft Manufacturing, and shall not be disclosed to others without the written consent of BrassCraft. This specification must be returned to BrassCraft if requested.



*Viton is a registered trademark of DuPont Dow Elastomers, L.L.C.

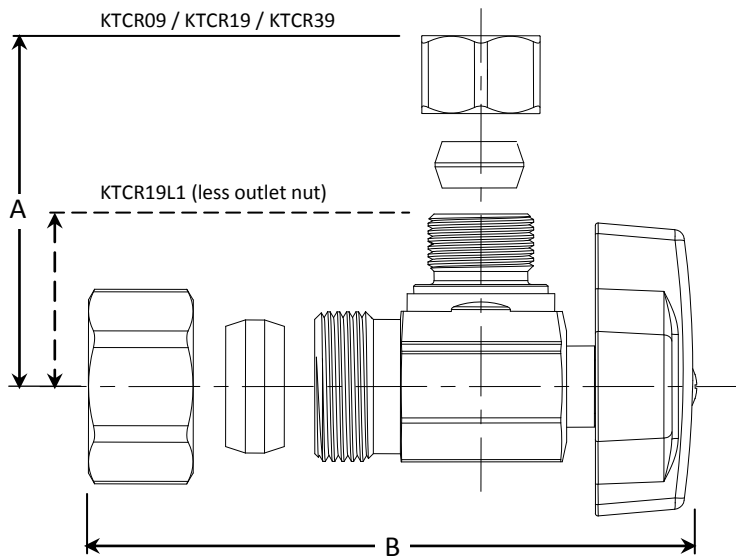
KTCR09/ KTCR19/ KTCR39 1/4 Turn Angle Ball Stop – Compression x Compression

Standard Part Listing:

- KTCR09 C 1/2" Nom. Compression x 1/4" OD Compression, chrome plated
- KTCR09 C1 1/2" Nom. Compression x 1/4" OD Compression, chrome plated, window tray
- KTCR09 R 1/2" Nom. Compression x 1/4" OD Compression, rough brass
- KTCR19 C 1/2" Nom. Compression x 3/8" OD Compression, chrome plated
- KTCR19 C1 1/2" Nom. Compression x 3/8" OD Compression, chrome plated, window tray
- KTCR19L1 CB 1/2" Nom. Compression x 3/8" OD Compression, less outlet nut, chrome plated, bulk
- KTCR39 C 1/2" Nom. Compression x 1/2" OD Compression, chrome plated

Compliant Part Listing:

- KTCR09X C 1/2" Nom. Compression x 1/4" OD Compression, chrome plated
- KTCR09X R 1/2" Nom. Compression x 1/4" OD Compression, rough brass
- KTCR19X C 1/2" Nom. Compression x 3/8" OD Compression, chrome plated
- KTCR39X C 1/2" Nom. Compression x 1/2" OD Compression, chrome plated



PART DIMENSIONS (Inches)		
Model	DIM. A	DIM. B
KTCR09	1.04	2.36
KTCR19	1.12	2.36
KTCR19L1	0.93	2.36
KTCR39	1.13	2.36

Listings & Certifications:

- IAPMO listed to ASME A112.18.1-05 / CSA B125.1-05 (File # 0645)
- CSA listed to ASME A112.18.1-05 / CSA B125.1-05 (File # 204593)
- Compliant product CSA approved to California Health & Safety Code 116875 and Vermont Bill S.152 (Project # 2174785)



This specification and all information contained herein is the confidential and exclusive property of BrassCraft Manufacturing, and shall not be disclosed to others without the written consent of BrassCraft. This specification must be returned to BrassCraft if requested.

BrassCraft®

KTCR09 C, KTCR09 C1, KTCR09 R, KTCR19 C, KTCR19 C1, KTCR19L1 CB, KTCR39 C, KTCR09X C, KTCR09X R, KTCR19X C, KTCR39X C

© 2011 Brass-Craft Mfg.