

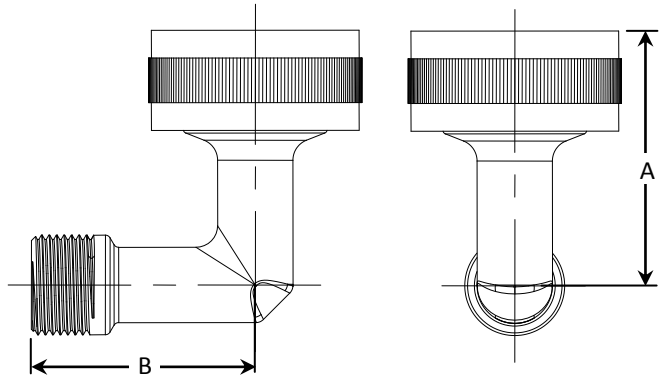
Job Name		Engineer / Architect	
Job Location		Wholesaler	
Submittal Date		Contractor	

## HES Series Garden Hose Dishwasher Fitting – Female Hose Thread x Compression

**Use:** To connect Whirlpool, Maytag, Amana, Kitchen Aid, and Jenn-Air dishwashers manufactured after September 2009 to flexible water connector. All female hose thread connections require a rubber washer inserted prior to installation.

**Design Features:**

- **One-piece brass body** provides strength, durability, and longer-lasting performance
- **Swivel hose thread nut** simplifies fitting alignment to make the water connector installation quick and easy
- **High-temperature resistant washer** for a reliable, longer-lasting performance
- **No Lead**



**Operating Specifications:**

**Temperature:** 40° to 140° F, intermittent to 180° F

**Working Pressure:** 125 PSI maximum

**No-Lead Product**

<b>FITTING MATERIAL SPECIFICATIONS</b>	
<b>Body</b>	No-Lead brass
<b>Hose Nut</b>	No-Lead brass
<b>Hose Washer</b>	Rubber

<b>PART DIMENSIONS (Inches)</b>		
<b>Model</b>	<b>DIM. A</b>	<b>DIM. B</b>
HES-6-12X	1.43	1.25
HES-8-12X	1.43	1.25
HES6-12WNMX	1.43	1.25

**No-Lead Part Listing:**

- HES-6-12X 3/4" female hose thread, swivel x 3/8" OD compression, rough brass
- HES-6-12X B 3/4" female hose thread, swivel x 3/8" OD compression, rough brass, bulk
- HES-6-12X D 3/4" female hose thread, swivel x 3/8" OD compression, rough brass, carded
- HES-6-12WNMX 3/4" female hose thread, swivel x 3/8" OD compression, w/ nut and sleeve, rough brass, carded
- HES-8-12X 3/4" female hose thread, swivel x 1/2" OD compression, rough brass