

For Residential and Commercial Applications

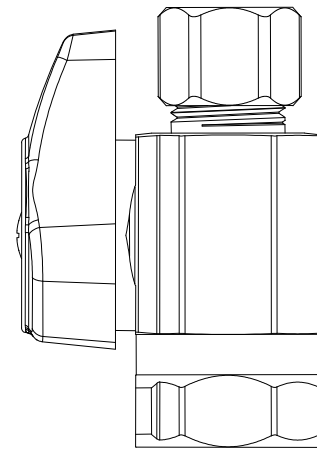
Job Name		Engineer / Architect	
Job Location		Wholesaler	
Submittal Date		Contractor	

G2R10 & G2R12 1/4 Turn Straight Stop – Female Iron Pipe x Compression

Use: For use in potable water distribution systems. Not intended for recirculating systems that produce continuous use temperatures above 115° F. For those applications, use BrassCraft’s KT series ball stop

Design Features:

- **One-Piece shut-off mechanism** provides smooth on-off operation without freeze ups even after long periods of non-use
- **Positive 1/4 turn shut-off**
- **Full-flow operation** with no waterway obstructions
- **Corrosion-resistant handle** is plated in an attractive chrome finish
- **Machined one-piece brass body** provides strength, durability and long-lasting performance
- **Easy-to-remove handle** with screw attachment protects accidental operation during rough-ins
- **100% leak tested**
- **Compliant G2 Stops** available for California and Vermont “low-lead” requirements



Operating Specifications:

Temperature: 40°- 140° F
Pressure: 125 psi maximum

Standard

Compliant

MATERIAL SPECIFICATIONS	
Valve Body	C36000 brass
Stem Barrel	Santoprene
Stem Shaft	Glass-filled polypropylene
Stem O-ring	EPDM
Handle	Chrome-plated zinc die cast
Screw	Zinc-plated steel
Compression Sleeve	C36000 brass
Compression Nut	C36000 brass

MATERIAL SPECIFICATIONS	
Valve Body	Compliant brass
Stem Barrel	Santoprene
Stem Shaft	Glass-filled polypropylene
O-ring	EPDM
Handle	Chrome-plated zinc die cast
Screw	Zinc-plated steel
Compression Sleeve	C36000 brass
Compression Nut	C36000 brass

Standard Part Listing:

- G2R10 C 3/8" F.I.P. x 3/8" OD Compression, chrome plated
- G2R10 CD 3/8" F.I.P. x 3/8" OD Compression, chrome plated, carded

This specification and all information contained herein is the confidential and exclusive property of BrassCraft Manufacturing, and shall not be disclosed to others without the written consent of BrassCraft. This specification must be returned to BrassCraft if requested.



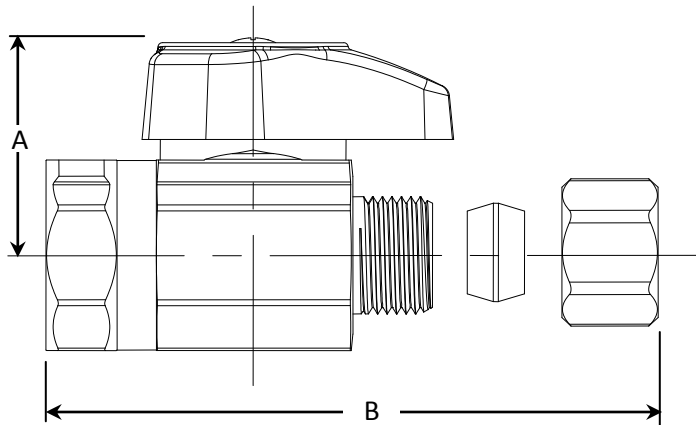
G2R10 & G2R12 1/4 Turn Straight Stop – Female Iron Pipe x Compression

Standard Part Listing (con't):

- G2R10 C1 3/8" F.I.P. x 3/8" OD Compression, chrome plated, window tray
- G2R12 C 1/2" F.I.P. x 3/8" OD Compression, chrome plated
- G2R12 CD 1/2" F.I.P. x 3/8" OD Compression, chrome plated, carded
- G2R12 C1 1/2" F.I.P. x 3/8" OD Compression, chrome plated, window tray
- G2R12 R1 1/2" F.I.P. x 3/8" OD Compression, rough brass, window tray

Compliant Part Listing:

- G2R10X CD 3/8" F.I.P. x 3/8" OD Compression, chrome plated, carded
- G2R10X C1 3/8" F.I.P. x 3/8" OD Compression, chrome plated, window tray
- G2R12X C 1/2" F.I.P. x 3/8" OD Compression, chrome plated
- G2R12X CD 1/2" F.I.P. x 3/8" OD Compression, chrome plated, carded
- G2R12X C1 1/2" F.I.P. x 3/8" OD Compression, chrome plated, window tray



PART DIMENSIONS (Inches)		
Model	DIM. A	DIM. B
G2R10	1.03	1.88
G2R12	1.03	2.03

Listings & Certifications:

- IAPMO listed to ASME A112.18.1-05 / CSA B125.1-05 (File # 0645)
- CSA listed to ASME A112.18.1-05 / CSA B125.1-05 (File # 204593)
- Compliant product CSA approved to California Health & Safety Code 116875 and Vermont Bill S.152 (Project # 2174785)



This specification and all information contained herein is the confidential and exclusive property of BrassCraft Manufacturing, and shall not be disclosed to others without the written consent of BrassCraft. This specification must be returned to BrassCraft if requested.

BrassCraft[®]