

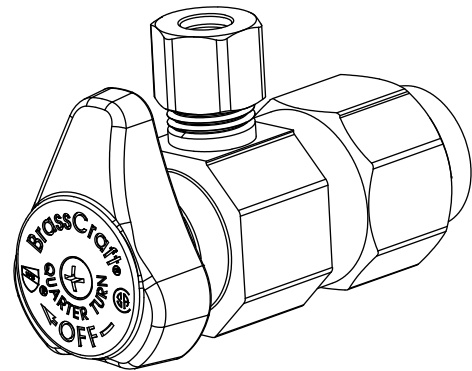
Job Name		Engineer / Architect	
Job Location		Wholesaler	
Submittal Date		Contractor	

G2PS09X / G2PS19X 1/4 Turn Push Connect Angle Stop – Compression Outlet

Use: For use in potable water distribution systems in accessible locations only. Not intended for recirculation systems/continuous use of temperatures above 115°F. For those applications, use our KT™ series ball stops.

Design Features:

- **One-piece, shut-off mechanism** provides smooth on-off operation without freeze ups even after long periods of non-use
- **Compatible with** PEX, copper, and PVC
- **Pre-assembled tube insert** is “installation ready” for a faster connection
- **Fast, reliable, and secure connection**
- **Positive 1/4 turn shut-off**
- **Easy-to-remove handle** helps protect against accidental operation during rough-ins
- **Available in** push connect x compression and push connect x push connect configurations
- **Compact machined** one-piece body design
- **100% Leak tested**
- **✓ No Lead**



Operating Specifications:

Temperature: 40° - 140° F, intermittent to 180° F
Pressure: 125 PSI maximum

MATERIAL SPECIFICATIONS	
Body	Brass, chrome plated
Stem Barrel	TPE
Stem Shaft	Glass-filled polypropylene
Stem O-ring	Rubber
Handle	ABS, plated or zinc die cast, plated
Handle Screw	Steel, zinc plated
Compression Nut	Brass, chrome plated
Compression Sleeve	Brass
Gripper Ring	Stainless steel
Tube Stiffener	Stainless steel
Removal Collet	Glass-filled nylon
Push connect O-ring	Rubber

This specification and all information contained herein is the confidential and exclusive property of Brasscraft Manufacturing Co., and shall not be disclosed to others without the written consent of Brasscraft Mfg Co. This specification must be returned to Brasscraft Mfg. Co. if requested.

400.92 G2PS19 1/4 Turn PushConnect Angle Stop - Compr Outlet REV 05/17

BrassCraft®

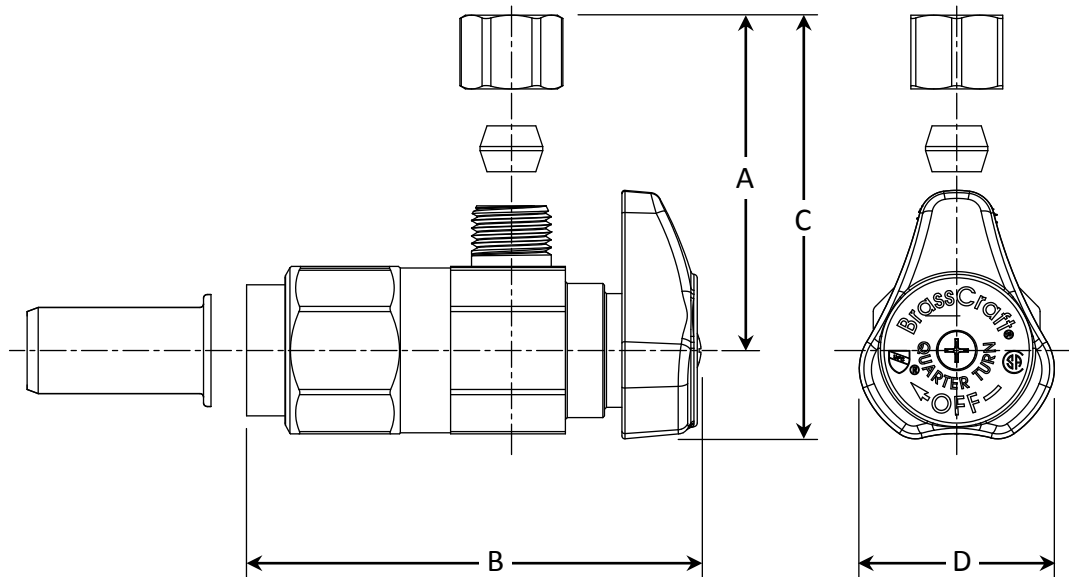
©2017 Brasscraft Manufacturing Co.

G2PS09X / G2PS19X 1/4 Turn Push Connect Angle Stop – Compression Outlet

Part Listing:

- G2PS09X C 1/2" nom push connect x 1/4" OD compression, chrome plated
- G2PS09X CM 1/2" nom push connect x 1/4" OD compression, chrome plated, contractor pack
- G2PS19X C 1/2" nom push connect x 3/8" OD compression, chrome plated
- G2PS19X C1 1/2" nom push connect x 3/8" OD compression, chrome plated, window tray
- G2PS19X CD 1/2" nom push connect x 3/8" OD compression, chrome plated, carded
- G2PS19X CM 1/2" nom push connect x 3/8" OD compression, chrome plated, contractor pack
- G2PS19L1X CB 1/2" nom push connect x 3/8" OD compression, less nut, chrome plated, bulk
- G2PS19TX CB 1/2" nom push connect x 3/8" OD compression, stuffing box, chrome plated, bulk

PART DIMENSIONS (Inches)				
Model	DIM. A	DIM. B	DIM. C	DIM. D
G2PS09X	1.06	2.46	1.56	1.07
G2PS19X	1.06	2.46	1.56	1.07



Listings & Certifications:

- IAPMO listed to ASME A112.18.1 / CSA B125.1 (File # 0645)
- CSA listed to ASME A112.18.1 / CSA B125.1 (File # 204593)
- No-lead product CSA listed to NSF 372 (Class 6853-01)



This specification and all information contained herein is the confidential and exclusive property of Brasscraft Manufacturing Co., and shall not be disclosed to others without the written consent of Brasscraft Mfg Co. This specification must be returned to Brasscraft Mfg. Co. if requested.