


For Residential and Commercial Applications

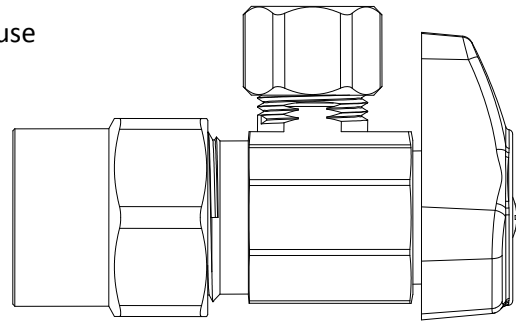
| | | | |
|----------------|--|----------------------|--|
| Job Name | | Engineer / Architect | |
| Job Location | | Wholesaler | |
| Submittal Date | | Contractor | |

G2PR19 1/4 Turn Angle Stop – CPVC x Compression

Use: For use with water in accessible locations only. Not intended for recirculating water systems that produce continuous use temperatures above 115° F. For those applications, use our KT™ series ball stop.

Design Features:

- **One-piece shut-off mechanism** provides smooth on-off operation without freeze ups even after long periods of non-use
- **Positive 1/4 turn shut-off**
- **Full-flow operation** with no waterway obstructions
- **Corrosion-resistant handle** is plated in an attractive chrome finish
- **Machined one-piece brass body** provides strength, durability, and long-lasting performance
- **Easy-to-remove handle** with screw attachment helps protect against accidental operation during rough-ins
- **100% leak tested**
- **100% Compliant product** available 



Operating Specifications:

Temperature: 40° - 140° F
Pressure: 125 PSI maximum

Standard

| STOP MATERIAL SPECIFICATIONS | |
|------------------------------|----------------------------|
| Body | Brass, chrome-plated |
| Stem Barrel | Santoprene |
| Stem Shaft | Glass-filled polypropylene |
| Stem O-ring | EPDM |
| Handle | Zinc, die-cast |
| Screw | Steel, zinc-plated |
| CPVC Insert | CPVC |
| CPVC Washer | EPDM |
| CPVC Nut | Brass, chrome-plated |
| Compression Sleeve | Brass |
| Compression Nut | Brass, chrome-plated |

Compliant

| STOP MATERIAL SPECIFICATIONS | |
|------------------------------|--------------------------------|
| Body | Compliant brass, chrome-plated |
| Stem Barrel | Santoprene |
| Stem Shaft | Glass-filled polypropylene |
| Stem O-ring | EPDM |
| Handle | Zinc, die-cast |
| Screw | Steel, zinc-plated |
| CPVC Insert | CPVC |
| CPVC Washer | EPDM |
| CPVC Nut | Compliant brass, chrome-plated |
| Compression Sleeve | Brass |
| Compression Nut | Brass, chrome-plated |

This specification and all information contained herein is the confidential and exclusive property of BrassCraft Manufacturing, and shall not be disclosed to others without the written consent of BrassCraft Mfg. This specification must be returned to BrassCraft Mfg if requested.



G2PR19 1/4 Turn Angle Stop – CPVC x Compression

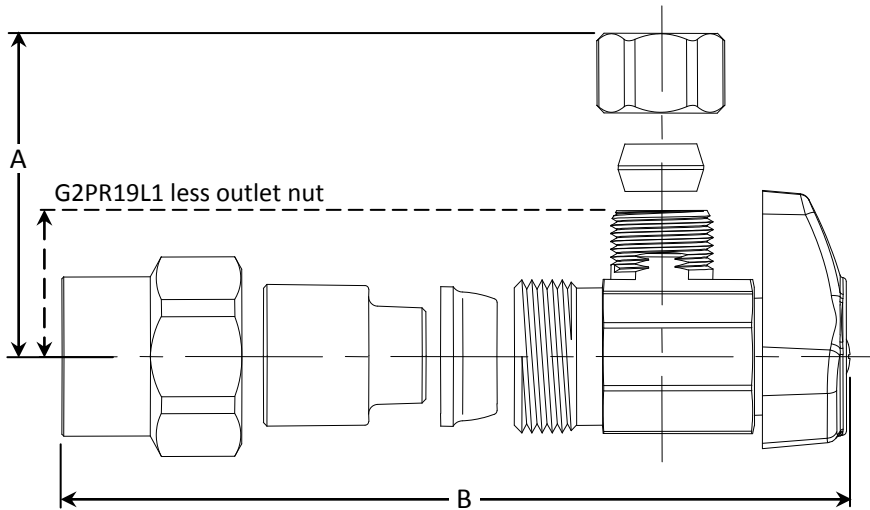
Standard Part Listing:

- G2PR19 C 1/2" nom CPVC x 3/8" OD compression, chrome plated
- G2PR19 CD 1/2" nom CPVC x 3/8" OD compression, chrome plated, carded
- G2PR19 C1 1/2" nom CPVC x 3/8" OD compression, chrome plated, window tray
- G2PR19 R 1/2" nom CPVC x 3/8" OD compression, rough brass
- G2PR19L1 CB 1/2" nom CPVC x 3/8" OD compression, less outlet nut, chrome plated, bulk

Compliant Part Listing:

- G2PR19X C 1/2" nom CPVC x 3/8" OD compression, chrome plated
- G2PR19X CD 1/2" nom CPVC x 3/8" OD compression, chrome plated, carded
- G2PR19X C1 1/2" nom CPVC x 3/8" OD compression, chrome plated, window tray
- G2PR19X R 1/2" nom CPVC x 3/8" OD compression, rough brass

| PART DIMENSIONS (Inches) | | |
|--------------------------|--------|--------|
| Model | DIM. A | DIM. B |
| G2PR19 | 1.06 | 2.65 |
| G2PR19L1 | 0.77 | 2.65 |



Listings & Certifications:

- IAPMO listed to ASME A112.18.1 / CSA B125.1 (File # 0645)
- CSA listed to ASME A112.18.1 / CSA B125.1 (File # 204593)
- Compliant product CSA listed to Low Lead Content Certification Program – Plumbing Products Class 6853-01



This specification and all information contained herein is the confidential and exclusive property of BrassCraft Manufacturing, and shall not be disclosed to others without the written consent of BrassCraft Mfg. This specification must be returned to BrassCraft Mfg if requested.

BrassCraft®