

*For Residential and Commercial Applications*

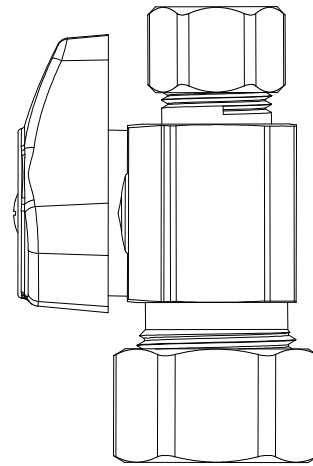
Job Name		Engineer / Architect	
Job Location		Wholesaler	
Submittal Date		Contractor	

## G2CR11/ G2CR14/ G2CR34 1/4 Turn Straight Stop – Compression x Compression

**Use:** For use in potable water distribution systems. Not intended for recirculating water systems that produce continuous use temperatures above 115° F. For those applications, use our KT™ series ball stops.

**Design Features:**

- **One-Piece shut-off mechanism** provides smooth on-off operation without freeze ups even after long periods of non-use
- **Positive 1/4 turn** shut off
- **Full-flow operation** with no waterway obstructions
- **Corrosion-resistant handle** is plated in an attractive chrome finish
- **Machined one-piece brass body** provides strength, durability, and long-lasting performance
- **Easy-to-remove handle** with screw attachment helps protect against accidental operation during rough-ins
- **100% Leak** tested
- **No Lead**
- **For use with** ASTM F876 PEX tubing, in ASTM F877 water distribution systems (parts containing PX and PXX only)
- **For use in** ASTM F877 water distribution systems as noted in Appendixes (parts containing PX and PXX only)



**Operating Specifications:**

**Temperature:** 40° - 140° F  
**Pressure:** 125 PSI maximum

**Standard**

STOP MATERIAL SPECIFICATIONS	
<b>Body</b>	Brass
<b>Stem Barrel</b>	Santoprene
<b>Stem Shaft</b>	Glass-filled Polypropylene
<b>O-ring</b>	Rubber
<b>Handle</b>	Zinc die cast, chrome plated
<b>Handle Screw</b>	Zinc-plated steel
<b>Compression Nut</b>	Brass, chrome plated
<b>Compression Sleeve</b>	Brass
<b>PEX Insert*</b>	Stainless steel

**No Lead**

STOP MATERIAL SPECIFICATIONS	
<b>Body</b>	No-Lead brass
<b>Stem Barrel</b>	Santoprene
<b>Stem Shaft</b>	Glass-filled Polypropylene
<b>O-ring</b>	Rubber
<b>Handle</b>	Zinc die cast, chrome plated
<b>Handle Screw</b>	Zinc-plated steel
<b>Compression Nut</b>	Brass, chrome plated
<b>Compression Sleeve</b>	Brass
<b>PEX Insert*</b>	Stainless steel

\*Where specified

*This specification and all information contained herein is the confidential and exclusive property of BrassCraft Manufacturing, and shall not be disclosed to others without the written consent of BrassCraft. This specification must be returned to BrassCraft if requested.*



# G2CR11/ G2CR14/ G2CR34 1/4 Turn Straight Stop – Compression x Compression

## Standard Part Listing:

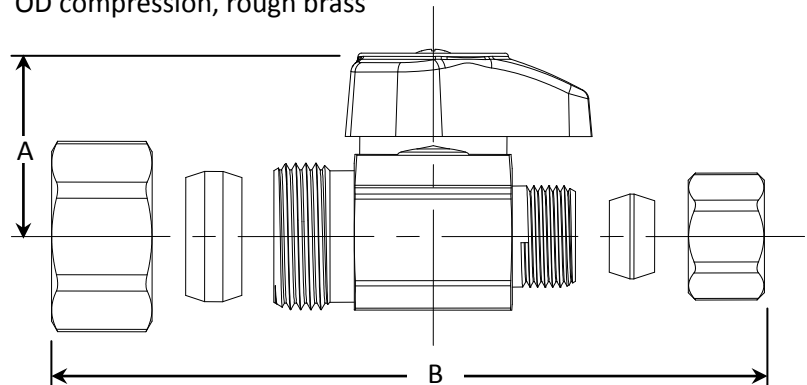
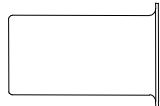
- G2CR11 C 1/4" nom compression x 3/8" OD compression, chrome plated
- G2CR11 CD 1/4" nom compression x 3/8" OD compression, chrome plated, carded
- G2CR11 C1 1/4" nom compression x 3/8" OD compression, chrome plated, window box
- G2CR14 C 1/2" nom compression x 3/8" OD compression, chrome plated
- G2CR14 CD 1/2" nom compression x 3/8" OD compression, chrome plated, carded
- G2CR14 C1 1/2" nom compression x 3/8" OD compression, chrome plated, window box
- G2CR14 R 1/2" nom compression x 3/8" OD compression, rough brass
- G2CR14PX C 1/2" nom compression w/ PEX stainless steel insert x 3/8" OD compression, chrome plated
- G2CR34 C 1/2" nom compression x 1/2" OD compression, chrome plated
- G2CR34 CD 1/2" nom compression x 1/2" OD compression, chrome plated, carded
- G2CR34 C1 1/2" nom compression x 1/2" OD compression, chrome plated, window box
- G2CR34 R 1/2" nom compression x 1/2" OD compression, rough brass

## No-Lead Part Listing:

- G2CR11X C 1/4" nom compression x 3/8" OD compression, chrome plated
- G2CR11X CD 1/4" nom compression x 3/8" OD compression, chrome plated, carded
- G2CR11X C1 1/4" nom compression x 3/8" OD compression, chrome plated, window box
- G2CR14X C 1/2" nom compression x 3/8" OD compression, chrome plated
- G2CR14X CD 1/2" nom compression x 3/8" OD compression, chrome plated, carded
- G2CR14X C1 1/2" nom compression x 3/8" OD compression, chrome plated, window box
- G2CR14X R 1/2" nom compression x 3/8" OD compression, chrome plated, rough brass
- G2CR14PXX C 1/2" nom compression w/ PEX stainless steel insert x 3/8" OD compression, chrome plated
- G2CR34X C 1/2" nom compression x 1/2" OD compression, chrome plated
- G2CR34X CD 1/2" nom compression x 1/2" OD compression, chrome plated, carded
- G2CR34X C1 1/2" nom compression x 1/2" OD compression, chrome plated, window box
- G2CR34X R 1/2" nom compression x 1/2" OD compression, rough brass

PART DIMENSIONS (Inches)		
Model	DIM. A	DIM. B
G2CR11	1.03	2.06
G2CR14	1.03	2.28
G2CR14PX	1.03	2.28
G2CR34	1.03	2.38

G2CR14PX & G2CR14PXX PEX tube Insert



## Listings & Certifications:

- IAPMO listed to ASME A112.18.1 / CSA B125.1 (File # 0645)
- CSA listed to ASME A112.18.1 / CSA B125.1 (File # 204593)
- No-Lead product CSA listed to Low Lead Content Certification Program – Plumbing Products Class 6853-01



This specification and all information contained herein is the confidential and exclusive property of BrassCraft Manufacturing, and shall not be disclosed to others without the written consent of BrassCraft. This specification must be returned to BrassCraft if requested.

**BrassCraft**<sup>®</sup>