

*For Residential and Commercial Applications*

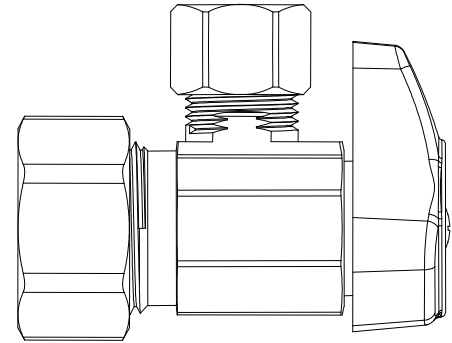
Job Name		Engineer / Architect	
Job Location		Wholesaler	
Submittal Date		Contractor	

## G2CR09/ G2CR19/ G2CR39 1/4 Turn Angle Stop – Compression x Compression

**Use:** For use in potable water distribution systems. Not intended for recirculating water systems that produce continuous use temperatures above 115° F. For those applications, use our KT™ series ball stops.

**Design Features:**

- **One-piece shut-off mechanism** provides smooth on-off operation without freeze ups even after long periods of non-use
- **Positive 1/4 turn** shut off
- **Full-flow operation** with no waterway obstructions
- **Corrosion-resistant handle** is plated in an attractive chrome finish
- **Machined one-piece brass body** provides strength, durability, and long-lasting performance
- **Easy-to-remove handle** with screw attachment helps protect against accidental operation during rough-ins
- **100% Leak** tested
- **No Lead**
- **For use with** ASTM F876 PEX tubing, in ASTM F877 water distribution systems (parts containing PX and PXX only)
- **For use in** ASTM F877 water distribution systems as noted in Appendixes (parts containing PX and PXX only)



**Operating Specifications:**

**Temperature:** 40°- 140° F  
**Pressure:** 125 PSI maximum

**Standard**

STOP MATERIAL SPECIFICATIONS	
<b>Body</b>	Brass
<b>Stem Barrel</b>	Santoprene
<b>Stem Shaft</b>	Glass-filled Polypropylene
<b>O-ring</b>	Rubber
<b>Handle</b>	Zinc die cast, chrome plated
<b>Handle Screw</b>	Zinc-plated steel
<b>Compression Nut</b>	Brass, chrome plated
<b>Compression Sleeve</b>	Brass
<b>PEX Insert*</b>	Stainless steel

**No Lead**

STOP MATERIAL SPECIFICATIONS	
<b>Body</b>	No-Lead brass
<b>Stem Barrel</b>	Santoprene
<b>Stem Shaft</b>	Glass-filled Polypropylene
<b>O-ring</b>	Rubber
<b>Handle</b>	Zinc die cast, chrome plated
<b>Handle Screw</b>	Zinc-plated steel
<b>Compression Nut</b>	Brass, chrome plated
<b>Compression Sleeve</b>	Brass
<b>PEX Insert*</b>	Stainless steel

\*Where specified

*This specification and all information contained herein is the confidential and exclusive property of BrassCraft Manufacturing, and shall not be disclosed to others without the written consent of BrassCraft. This specification must be returned to BrassCraft if requested.*



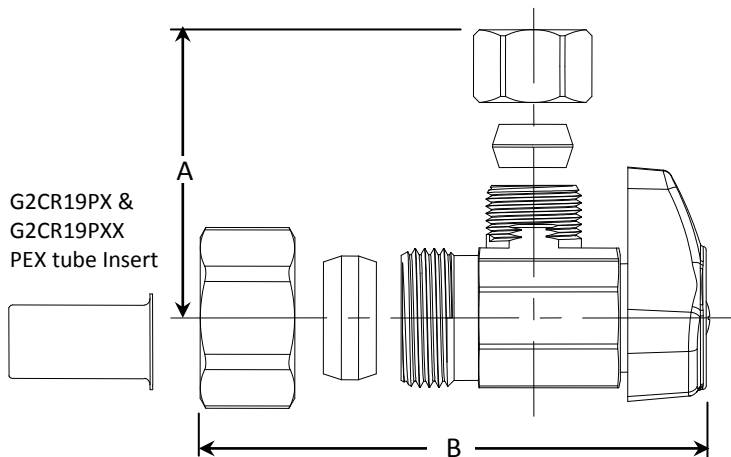
# G2CR09/ G2CR19/ G2CR39 1/4 Turn Angle Stop – Compression x Compression

## Standard Part Listing:

- G2CR09 C 1/2" nom compression x 1/4" OD compression, chrome plated
- G2CR09 C1 1/2" nom compression x 1/4" OD compression, chrome plated, window tray
- G2CR09 CD 1/2" nom compression x 1/4" OD compression, chrome plated, blister card
- G2CR09 R 1/2" nom compression x 1/4" OD compression, rough brass
- G2CR19 C 1/2" nom compression x 3/8" OD compression, chrome plated
- G2CR19 C1 1/2" nom compression x 3/8" OD compression, chrome plated, window tray
- G2CR19 CD 1/2" nom compression x 3/8" OD compression, chrome plated, blister card
- G2CR19 R 1/2" nom compression x 3/8" OD compression, rough brass
- G2CR19L1 CB 1/2" nom compression x 3/8" OD compression, less outlet nut, chrome plated, bulk
- G2CR19PX C 1/2" nom compression w/ PEX stainless steel insert x 3/8" OD compression, chrome plated
- G2CR39 C 1/2" nom compression x 1/2" OD compression, chrome plated
- G2CR39 C1 1/2" nom compression x 1/2" OD compression, chrome plated, window tray
- G2CR39 CD 1/2" nom compression x 1/2" OD compression, chrome plated, blister card
- G2CR39 R 1/2" nom compression x 1/2" OD compression, rough brass

## No-Lead Part Listing:

- G2CR09X C 1/2" nom compression x 1/4" OD compression, chrome plated
- G2CR09X C1 1/2" nom compression x 1/4" OD compression, chrome plated, window tray
- G2CR09X CD 1/2" nom compression x 1/4" OD compression, chrome plated, blister card
- G2CR09X R 1/2" nom compression x 1/4" OD compression, rough brass
- G2CR19X C 1/2" nom compression x 3/8" OD compression, chrome plated
- G2CR19X C1 1/2" nom compression x 3/8" OD compression, chrome plated, window tray
- G2CR19X CD 1/2" nom compression x 3/8" OD compression, chrome plated, blister card
- G2CR19X R 1/2" nom compression x 3/8" OD compression, rough brass
- G2CR19PXX C 1/2" nom compression w/ PEX stainless steel insert x 3/8" OD compression, chrome plated
- G2CR19L1X CB 1/2" nom compression x 3/8" OD compression, less outlet nut, chrome plated, bulk
- G2CR39X CD 1/2" nom compression x 1/2" OD compression, chrome plated, blister card



PART DIMENSIONS (Inches)		
Model	DIM A	DIM B
G2CR09	1.02	2.16
G2CR19	1.02	2.16
G2CR19L1	.74	2.16
G2CR19PX	1.02	2.16
G2CR39	1.11	2.16

## Listings & Certifications:

- IAPMO listed to ASME A112.18.1 / CSA B125.1 (File # 0645)
- CSA listed to ASME A112.18.1 / CSA B125.1 (File # 204593)
- No-Lead product CSA listed to Low Lead Content Certification Program – Plumbing Products Class 6853-01



*This specification and all information contained herein is the confidential and exclusive property of BrassCraft Manufacturing, and shall not be disclosed to others without the written consent of BrassCraft. This specification must be returned to BrassCraft if requested.*

