


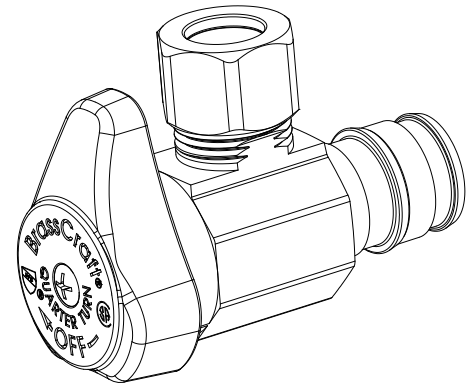
Job Name		Engineer / Architect	
Job Location		Wholesaler	
Submittal Date		Contractor	

G2CEPX09 / G2CEPX19 1/4 Turn Angle Stop - Cold Expansion Barb (for PEX) x Compression

Use: For use with water in accessible locations only. Not intended for recirculating systems that produce continuous use temperatures above 115° F. For those applications, use our KT™ series ball stop.

Design Features:

- **One-piece shut-off mechanism** provides smooth on-off operation without freeze ups even after long periods of non-use
- **Positive 1/4 turn shut off**
- **Full-flow operation** with no waterway obstructions
- **Corrosion-resistant handle** is plated in an attractive chrome finish
- **Machined one-piece brass body** provides strength, durability, and long-lasting performance
- **Easy-to-remove handle** with screw attachment helps protect against accidental operation during rough-ins
- **100% Leak tested**
-  **No Lead**
- **PEX end** designed to ASTM F1960
- **For use with** ASTM F876 PEX tubing, in ASTM F877 water distribution systems



Operating Specifications:

Temperature: 40°- 140° F
Pressure: 125 PSI maximum

STOP MATERIAL SPECIFICATIONS	
Body	Brass, chrome plated
Stem Barrel	Santoprene
Stem Shaft	Glass-filled polypropylene
Stem O-ring	Rubber
Handle	Zinc die cast, plated
Handle Screw	Steel, zinc plated
Compression Nut	Brass, chrome plated
Compression Sleeve	Brass

This specification and all information contained herein is the confidential and exclusive property of BrassCraft Manufacturing, and shall not be disclosed to others without the written consent of BrassCraft Mfg. This specification must be returned to BrassCraft Mfg. if requested.

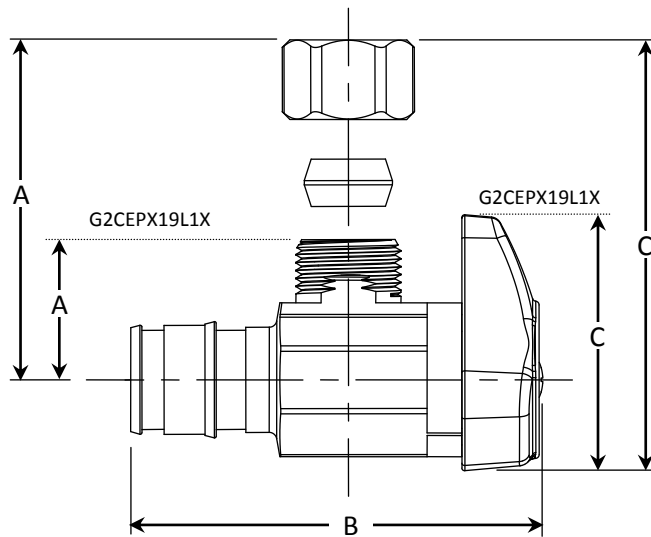


G2CEPX09 / G2CEPX19 1/4 Turn Angle Stop - Cold Expansion Barb (for PEX) x Compression

Part Listing:

- G2CEPX09X C 1/2" nom cold expansion barb (for PEX) x 1/4" OD compression, chrome plated
- G2CEPX19X C 1/2" nom cold expansion barb (for PEX) x 3/8" OD compression, chrome plated
- G2CEPX19L1X CB 1/2" nom cold expansion barb (for PEX) x 3/8" OD compression, less nut, chrome plated

PART DIMENSIONS (Inches)			
Model	DIM. A	DIM. B	DIM. C
G2CEPX09X	1.02	2.13	1.49
G2CEPX19X	1.02	2.13	1.49
G2CEPX19L1X	.74	2.13	1.35



Listings & Certifications:

- IAPMO listed to ASME A112.18.1 / CSA B125.1 (File # 0645)
- CSA listed to ASME A112.18.1 / CSA B125.1 (File # 204593)
- No-lead product CSA listed to NSF 372 (Class 6853-01)



This specification and all information contained herein is the confidential and exclusive property of BrassCraft Manufacturing, and shall not be disclosed to others without the written consent of BrassCraft Mfg. This specification must be returned to BrassCraft Mfg. if requested.

BrassCraft®