


For Residential and Commercial Applications

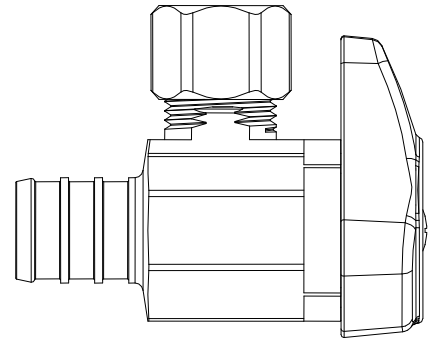
Job Name		Engineer / Architect	
Job Location		Wholesaler	
Submittal Date		Contractor	

G2BRPX19 1/4 Turn Angle Stop – Barbed PEX x Compression

Use: For use in potable water distribution systems. Not intended for recirculating systems that produce continuous use temperatures above 115° F. For those applications, use our KT™ series ball stop.

Design Features:

- **One-piece shut-off mechanism** provides smooth on-off operation without freeze ups even after long periods of non-use
- **Positive 1/4 turn** shut off
- **Full-flow operation** with no waterway obstructions
- **Corrosion-resistant handle** is plated in an attractive chrome finish
- **Machined, one-piece brass body** provides strength, durability, and long-lasting performance
- **Easy-to-remove handle** with screw attachment helps protect against accidental operation during rough-ins
- **100% Leak** tested
-  **No Lead**
- **PEX end** designed to ASTM F1807
- **For use with** ASTM F876 PEX tubing, in ASTM F877 water distribution systems using ASTM F1807, and/or F2098 connection methods



Operating Specifications:

Temperature: 40°- 140° F
Pressure: 125 PSI maximum

STOP MATERIAL SPECIFICATIONS	
Body	<i>Brass or brass, chrome plated</i>
Stem Barrel	<i>Rubber</i>
Stem Shaft	<i>Glass-filled polypropylene</i>
O-ring	<i>Rubber</i>
Handle	<i>Zinc die cast, chrome plated</i>
Screw	<i>Zinc-plated steel</i>
Compression Nut	<i>Brass or brass, chrome plated</i>
Compression Sleeve	<i>Brass</i>

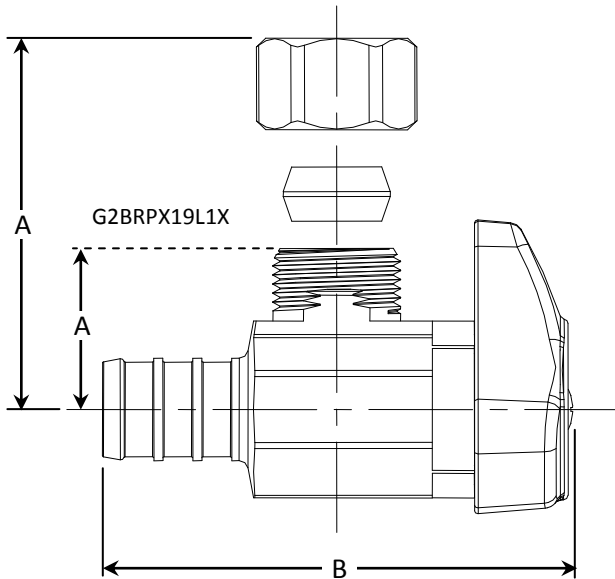
This specification and all information contained herein is the confidential and exclusive property of BrassCraft Manufacturing, and shall not be disclosed to others without the written consent of BrassCraft Mfg. This specification must be returned to BrassCraft Mfg. if requested.



G2BRPX19 1/4 Turn Angle Stop – Barbed PEX x Compression

Part Listing:

- G2BRPX19X C 1/2" nom crimp barb (for PEX) x 3/8" OD compression, chrome plated
- G2BRPX19L1X CB 1/2" nom crimp barb (for PEX) x 3/8" OD compression, less nut, chrome plated, bulk
- G2BRPX19X R 1/2" nom crimp barb (for PEX) x 3/8" OD compression, rough brass



PART DIMENSIONS (Inches)		
Model	DIM. A	DIM. B
G2BRPX19X	1.02	2.06
G2BRPX19L1X	.74	2.06

Listings & Certifications:

- IAPMO listed to ASME A112.18.1 / CSA B125.1 (File # 0645)
- CSA listed to ASME A112.18.1 / CSA B125.1 (File # 204593)
- No-Lead product CSA listed to Low Lead Content Certification Program – Plumbing Products Class 6853-01



This specification and all information contained herein is the confidential and exclusive property of BrassCraft Manufacturing, and shall not be disclosed to others without the written consent of BrassCraft Mfg. This specification must be returned to BrassCraft Mfg. if requested.

BrassCraft®