

For Residential and Commercial Applications

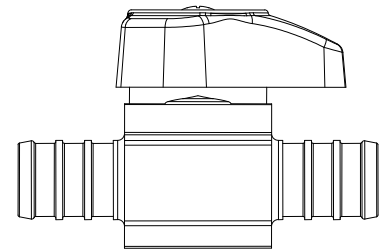
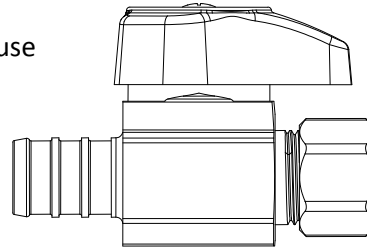
Job Name		Engineer / Architect	
Job Location		Wholesaler	
Submittal Date		Contractor	

G2BRPX14/ G2BRPX44 1/4 Turn Straight Stop – Barbed PEX Inlet

Use: For use with water in accessible locations only. Not intended for recirculating systems that produce continuous use temperatures above 115° F. For those applications, use our KT™ series ball stop.

Design Features:

- **One-piece shut-off mechanism** provides smooth on-off operation without freeze ups even after long periods of non-use
- **Positive 1/4 turn shut-off**
- **Full-flow operation** with no waterway obstructions
- **Corrosion-resistant handle** is plated in an attractive chrome finish
- **Machined one-piece brass body** provides strength, durability, and long-lasting performance
- **Easy-to-remove handle** with screw attachment helps protect against accidental operation during rough-ins
- **100% leak tested**
- **No Lead**
- **PEX end** designed to ASTM F1807
- **For use with** ASTM F876 PEX tubing, in ASTM F877 water distribution systems using ASTM F1807, and/or F2098 connection methods



Operating Specifications:

Temperature: 40°- 140° F
Pressure: 125 PSI maximum

STOP MATERIAL SPECIFICATIONS	
Body	<i>Brass or brass, chrome plated</i>
Stem Barrel	<i>Rubber</i>
Stem Shaft	<i>Glass-filled polypropylene</i>
O-ring	<i>Rubber</i>
Handle	<i>Zinc die cast, chrome plated</i>
Screw	<i>Zinc-plated steel</i>
Compression Nut	<i>Brass or brass, chrome plated</i>
Compression Sleeve	<i>Brass</i>

STOP MATERIAL SPECIFICATIONS	
Body	<i>No-Lead brass or No-Lead brass, chrome plated</i>
Stem Barrel	<i>Rubber</i>
Stem Shaft	<i>Glass-filled polypropylene</i>
O-ring	<i>Rubber</i>
Handle	<i>Zinc die cast, chrome plated</i>
Screw	<i>Zinc-plated steel</i>
Compression Nut	<i>Brass or brass, chrome plated</i>
Compression Sleeve	<i>Brass</i>

Standard Part Listing:

- G2BRPX14 C 1/2" nom crimp barb (for PEX) x 3/8" OD compression, chrome plated
- G2BRPX14 R 1/2" nom crimp barb (for PEX) x 3/8" OD compression, rough brass
- G2BRPX44 R 1/2" nom crimp barb (for PEX) x 1/2" nom crimp barb (for PEX), rough brass
- G2BRPX44T R125 1/2" nom crimp barb (for PEX) x 1/2" nom crimp barb (for PEX), rough brass, bulk

This specification and all information contained herein is the confidential and exclusive property of BrassCraft Manufacturing, and shall not be disclosed to others without the written consent of BrassCraft Mfg. This specification must be returned to BrassCraft Mfg. if requested.

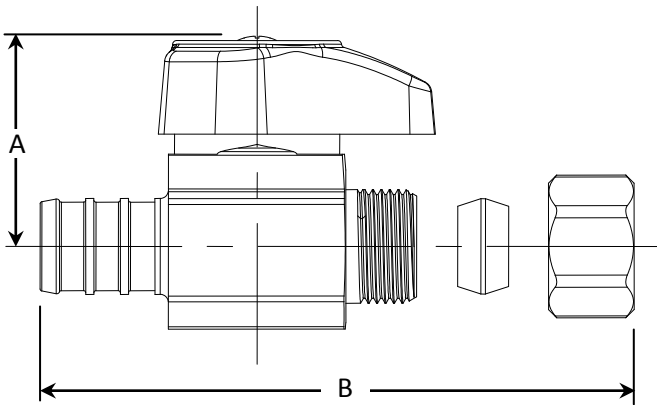


G2BRPX14/ G2BRPX44 1/4 Turn Straight Stop – Barbed PEX Inlet

No-Lead Part Listing:

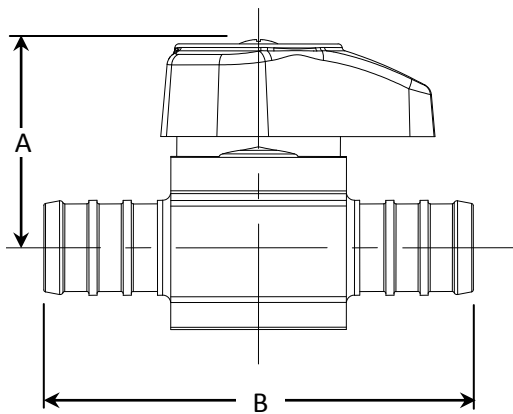
- G2BRPX14X C 1/2" nom crimp barb (for PEX) x 3/8" OD compression, chrome plated
- G2BRPX14X R 1/2" nom crimp barb (for PEX) x 3/8" OD compression, rough brass
- G2BRPX44X C 1/2" nom crimp barb (for PEX) x 1/2" nom crimp barb (for PEX), chrome plated
- G2BRPX44X R 1/2" nom crimp barb (for PEX) x 1/2" nom crimp barb (for PEX), rough brass

G2BRPX14, barbed PEX x compression



PART DIMENSIONS (Inches)		
Model	DIM. A	DIM. B
G2BRPX14	1.03	2.05
G2BRPX44	1.03	2.13

G2BRPX44, barbed PEX both ends



Listings & Certifications:

- IAPMO listed to ASME A112.18.1 / CSA B125.1 (File # 0645)
- CSA listed to ASME A112.18.1 / CSA B125.1 (File # 204593)
- No-Lead product CSA listed to Low Lead Content Certification Program – Plumbing Products Class 6853-01



This specification and all information contained herein is the confidential and exclusive property of BrassCraft Manufacturing, and shall not be disclosed to others without the written consent of BrassCraft Mfg. This specification must be returned to BrassCraft Mfg. if requested.

