

## For Residential and Commercial Applications

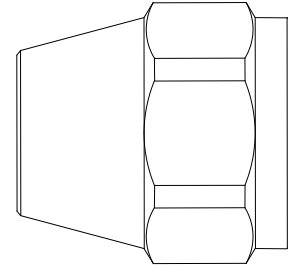
Job Name		Engineer / Architect	
Job Location		Wholesaler	
Submittal Date		Contractor	

### F0 Series 9/16-24 Fine Thread Flare Nut

**Use:** For use with fuel, oil, liquefied petroleum (LP) and natural gas lines. Designed for use with aluminum, copper, brass and welded steel tubing that can be flared.

**Design Features:**

- **Recommended for higher pressures** than those covered by compression fittings
- **Resist mechanical pull out**



**Operating Specifications:**

**Temperature:** -65° to +250° F at maximum operating pressures

**Working Pressure:** See chart below

**Vibration:** Good vibration resistance\*

\*Recommend long flare nuts when greater vibration resistance is required



#### MATERIAL SPECIFICATIONS

<b>Fitting Body</b>	<b>C36000 brass</b>
---------------------	---------------------

#### MAXIMUM WORKING PRESSURES

Service Conditions	Tube O.D.	Type of Tubing and Wall Thickness (Inches)												
		Copper – Dead Soft (Seamless)					Copper – Half Hard (Seamless)							
		.030"	.032"	.035"	.049"	.065"	.032"	.035"	.042"	.049"	.065"			
Safety Factor 4-1	1/8	4300		5000			5000							
	3/16	2850		3300			3400							
	1/4	2100	2250	2500			2500							
	5/16		1800	2000			2000							
	3/8		1500	1650			1700	1850						
	1/2		1100	1250		2000	1250	1400						2600
	5/8			1000	1400	1800	1000				1500	2000		
	3/4			850	1150	1500				1100				1700
	7/8										1100	1500		
Safety Factor 6-1	1/8	2800		3350			3400							
	3/16	1900		2200			2250							
	1/4	1430	1500	1650			1700							
	5/16		1200	1300			1350							
	3/8		100	1100			1100	1200						
	1/2		750	825		1550	850	925						1750
	5/8			650	930	1200	675				1000	1350		
	3/4			550	775	1000				725				1100
	7/8										750	1000		

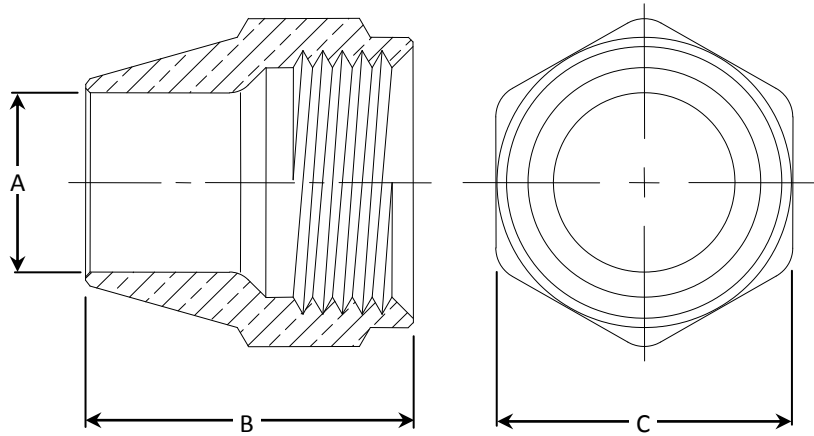
*This specification and all information contained herein is the confidential and exclusive property of BrassCraft Manufacturing, and shall not be disclosed to others without the written consent of BrassCraft. This specification must be returned to BrassCraft if requested.*



# F0 Series 9/16-24 Fine Thread Flare Nut

**Part Listing:**

- F0-6                      3/8" OD Flare (9/16-24 Fine Thread)
- F0-6 B                    3/8" OD Flare (9/16-24 Fine Thread), bulk
- F0-6 C                    3/8" OD Flare (9/16-24 Fine Thread), chrome plated
- F0-6-4 C                3/8" OD to 1/4" OD Flare (9/16-24 Fine Thread), chrome plated
- F0-6-4 R                3/8" OD to 1/4" OD Flare (9/16-24 Fine Thread), rough brass
- F0-6-4 RB              3/8" OD to 1/4" OD Flare (9/16-24 Fine Thread), rough brass, bulk
- F0-8                      1/2" OD Flare (9/16-24 Fine Thread)
- F0-8 C                    1/2" OD Flare (9/16-24 Fine Thread), chrome plated



<b>PART DIMENSIONS (Inches)</b>				
<b>Model</b>	<b>TUBE SIZE</b>	<b>DIA. A</b>	<b>DIM. B</b>	<b>HEX. C</b>
F0-6	3/8	.380	.69	5/8
F0-6-4 R	3/8 to 1/4	.257	.69	5/8
F0-8	1/2	.505	.75	13/16

*This specification and all information contained herein is the confidential and exclusive property of BrassCraft Manufacturing, and shall not be disclosed to others without the written consent of BrassCraft. This specification must be returned to BrassCraft if requested.*

