

For Residential and Commercial Applications

Job Name		Engineer / Architect	
Job Location		Wholesaler	
Submittal Date		Contractor	

69 Series Compression x Male Iron Pipe Reducing Elbows

Use: For use with potable and non-potable water, instrumentation, hydraulic, and pneumatic systems. Designed for use with aluminum, copper, and plastic tubing*. Not intended for use with steel tubing.

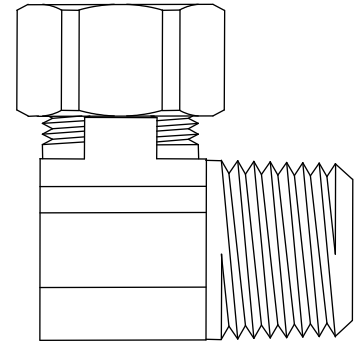
* Plastic tubing requires a plastic insert and sleeve (see 60PT & 63PT submittal forms for details)

Design Features:

- **Little to no tube preparation.** Compression fittings do not require flaring, soldering or other types of tube preparation
- **Available in a broad range of sizes**
- **No-lead available**

Operating Specifications:

- Temperature:** -65° - 250°F at maximum operating temperatures
Working Pressure: See chart below
Vibration: Fair vibration resistance



WORKING PRESSURE		
PSI	Tube O.D.	Tube Wall (Inches)
400	1/8	0.030
400	3/16	0.030
300	1/4	0.030
300	5/16	0.032
200	3/8	0.032
200	1/2	0.032
150	5/8	0.035
100	3/4	0.035
75	7/8	0.035

Standard Product

MATERIAL SPECIFICATIONS	
Fitting Body	Brass
Compression Sleeve	Brass
Compression Nut	Brass
Option	Chrome plating

Standard Part Listing:

- 69-3-2 3/16" OD Tube x 1/8" MIP
- 69-3-2-1 B 3/16" OD Tube x 1/8" MIP - body only, bulk
- 69-3-4 3/16" OD Tube x 1/4" MIP, bulk

This specification and all information contained herein is the confidential and exclusive property of BrassCraft Manufacturing, and shall not be disclosed to others without the written consent of BrassCraft. This specification must be returned to BrassCraft if requested.



69 Series Compression x Male Iron Pipe Reducing Elbows

Standard Part Listing (con't):

<input type="checkbox"/>	69-3-4-1 B	3/16" OD Tube x 1/4" MIP- body only, bulk
<input type="checkbox"/>	69-4-2	1/4" OD Tube x 1/8" MIP
<input type="checkbox"/>	69-4-2 B	1/4" OD Tube x 1/8" MIP, bulk
<input type="checkbox"/>	69-4-2-1 B	1/4" OD Tube x 1/8" MIP - body only, bulk
<input type="checkbox"/>	69-4-6	1/4" OD Tube x 3/8" MIP
<input type="checkbox"/>	69-4-6 B	1/4" OD Tube x 3/8" MIP, bulk
<input type="checkbox"/>	69-4-6-1 B	1/4" OD Tube x 3/8" MIP - body only, bulk
<input type="checkbox"/>	69-4-8	1/4" OD Tube x 1/2" MIP
<input type="checkbox"/>	69-5-2	5/16" OD Tube x 1/8" MIP
<input type="checkbox"/>	69-5-2-1 B	5/16" OD Tube x 1/8" MIP - body only, bulk
<input type="checkbox"/>	69-5-4	5/16" OD Tube x 1/4" MIP
<input type="checkbox"/>	69-5-4 B	5/16" OD Tube x 1/4" MIP, bulk
<input type="checkbox"/>	69-5-4-1 B	5/16" OD Tube x 1/4" MIP - body only, bulk
<input type="checkbox"/>	69-5-6	5/16" OD Tube x 3/8" MIP
<input type="checkbox"/>	69-5-6-1 B	5/16" OD Tube x 3/8" MIP - body only, bulk
<input type="checkbox"/>	69-5-8	5/16" OD Tube x 1/2" M.I.P
<input type="checkbox"/>	69-6-2	3/8" OD Tube x 1/8" MIP
<input type="checkbox"/>	69-6-2 B	3/8" OD Tube x 1/8" MIP, bulk
<input type="checkbox"/>	69-6-2-1 B	3/8" OD Tube x 1/8" MIP - body only, bulk
<input type="checkbox"/>	69-6-4	3/8" OD Tube x 1/4" MIP
<input type="checkbox"/>	69-6-4 B	3/8" OD Tube x 1/4" MIP, bulk
<input type="checkbox"/>	69-6-4 C	3/8" OD Tube x 1/4" MIP, chrome plated
<input type="checkbox"/>	69-6-4-1 B	3/8" OD Tube x 1/4" MIP - body only, bulk
<input type="checkbox"/>	69-6-4-1 CB	3/8" OD Tube x 1/4" MIP - body only, bulk
<input type="checkbox"/>	69-6-8	3/8" OD Tube x 1/2" MIP
<input type="checkbox"/>	69-6-8 B	3/8" OD Tube x 1/2" MIP, bulk
<input type="checkbox"/>	69-6-8 C	3/8" OD Tube x 1/2" MIP, chrome plated
<input type="checkbox"/>	69-6-8 CB	3/8" OD Tube x 1/2" MIP, chrome plated, bulk
<input type="checkbox"/>	69-6-8-1 B	3/8" OD Tube x 1/2" MIP - body only, bulk
<input type="checkbox"/>	69-6-8-1 CB	3/8" OD Tube x 1/2" MIP - body only, bulk
<input type="checkbox"/>	69-6-12	3/8" OD Tube x 3/4" MIP
<input type="checkbox"/>	69-7-4	7/16" OD Tube x 1/4" MIP
<input type="checkbox"/>	69-7-6	7/16" OD Tube x 3/8" MIP
<input type="checkbox"/>	69-8-4	1/2" OD Tube x 1/4" MIP
<input type="checkbox"/>	69-8-4-1 B	1/2" OD Tube x 1/4" MIP - body only, bulk
<input type="checkbox"/>	69-8-6	1/2" OD Tube x 3/8" MIP
<input type="checkbox"/>	69-8-6 B	1/2" OD Tube x 3/8" MIP, bulk
<input type="checkbox"/>	69-8-6 C	1/2" OD Tube x 3/8" MIP, chrome plated
<input type="checkbox"/>	69-8-6 CB	1/2" OD Tube x 3/8" MIP, chrome plated, bulk
<input type="checkbox"/>	69-8-6-1 B	1/2" OD Tube x 3/8" MIP - body only, bulk
<input type="checkbox"/>	69-8-6-1 CB	1/2" OD Tube x 3/8" MIP - body only, chrome plated, bulk
<input type="checkbox"/>	69-10-6	5/8" OD Tube x 3/8" MIP
<input type="checkbox"/>	69-10-6 B	5/8" OD Tube x 3/8" MIP, bulk
<input type="checkbox"/>	69-10-6-1 B	5/8" OD Tube x 3/8" MIP - body only, bulk
<input type="checkbox"/>	69-10-8	5/8" OD Tube x 1/2" MIP

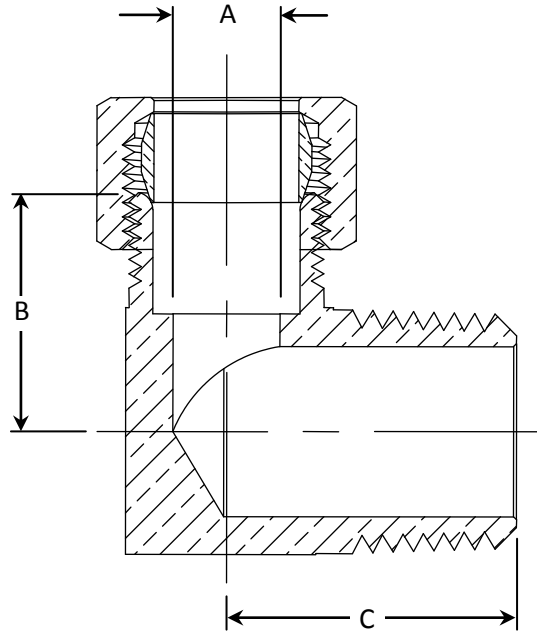
This specification and all information contained herein is the confidential and exclusive property of BrassCraft Manufacturing, and shall not be disclosed to others without the written consent of BrassCraft. This specification must be returned to BrassCraft if requested.

BrassCraft[®]

69 Series Compression x Male Iron Pipe Reducing Elbows

Standard Part Listing (con't):

- 69-10-8 B 5/8" OD Tube x 1/2" MIP, bulk
- 69-10-8-1 B 5/8" OD Tube x 1/2" MIP - body only, bulk
- 69-10-12 5/8" OD Tube x 3/4" MIP
- 69-10-12-1 B 5/8" OD Tube x 3/4" MIP - body only, bulk
- 69-14-12 7/8" OD Tube x 3/4" MIP
- 69-14-12 B 7/8" OD Tube x 3/4" MIP, bulk



PART DIMENSIONS (Inches)			
Model	DIA. A	DIM. B	DIM. C
69-3-2	.12	0.60	0.69
69-3-4	.12	0.59	0.81
69-4-2	.19	0.60	0.69
69-4-6	.19	0.68	0.94
69-4-8	.19	0.98	1.12
69-5-2	.25	0.66	0.75
69-5-4	.25	0.66	0.81
69-5-6	.25	0.75	0.91
69-5-8	.25	0.78	0.93
69-6-2	.22	0.63	0.73
69-6-4	.31	0.73	0.84

PART DIMENSIONS (Inches)			
Model	DIA. A	DIM. B	DIM. C
69-6-8	.32	0.80	0.96
69-6-12	.31	1.03	1.19
69-7-4	.31	0.84	1.00
69-7-6	.41	0.75	0.87
69-8-4	.41	0.88	0.97
69-8-6	.44	0.75	0.87
69-10-6	.41	1.04	1.16
69-10-8	.50	1.06	1.29
69-10-12	.50	1.16	1.31
69-14-12	.75	1.25	1.38

This specification and all information contained herein is the confidential and exclusive property of BrassCraft Manufacturing, and shall not be disclosed to others without the written consent of BrassCraft. This specification must be returned to BrassCraft if requested.

BrassCraft[®]