

For Residential and Commercial Applications

Job Name		Engineer / Architect	
Job Location		Wholesaler	
Submittal Date		Contractor	

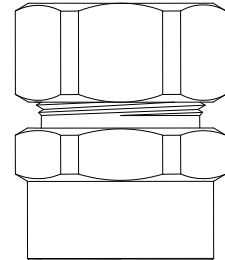
66 Series Compression x Female Iron Pipe Adapters

Use: For use with instrumentation, hydraulic and pneumatic systems. Designed for use with aluminum, copper and plastic tubing. Not intended for use with steel tubing

* Plastic tubing requires a plastic insert and sleeve (see 60PT & 63PT submittal forms for details)

Design Features:

- **Little to no tube preparation.** Compression fittings do not require flaring, soldering or other types of tube preparation
- **Available in a broad range of sizes**
- **Compliant fitting options** available for California and Vermont “low-lead” requirements



Operating Specifications:

Temperature: -65° - 250° F at maximum operating pressures

Working Pressure: See chart below

Vibration: Fair vibration resistance

WORKING PRESSURE		
PSI	Tube O.D.	Tube Wall (Inches)
400	1/8	0.030
400	3/16	0.030
300	1/4	0.030
300	5/16	0.032
200	3/8	0.032
200	1/2	0.032
150	5/8	0.035
100	3/4	0.035
75	7/8	0.035

Standard

MATERIAL SPECIFICATIONS	
Fitting Body	C36000 brass
Compression Sleeve	C36000 brass
Compression Nut	Chrome-plated C36000 brass

Compliant

MATERIAL SPECIFICATIONS	
Fitting Body	Compliant brass
Compression Sleeve	C36000 brass
Compression Nut	C36000 brass

Standard Fitting Part Listing:

- 66-2-2 1/8" OD Tube x 1/8" F.I.P.
- 66-2-2 B 1/8" OD Tube x 1/8" F.I.P., bulk
- 66-4-4 1/4" OD Tube x 1/4" F.I.P.

This specification and all information contained herein is the confidential and exclusive property of BrassCraft Manufacturing, and shall not be disclosed to others without the written consent of BrassCraft. This specification must be returned to BrassCraft if requested.



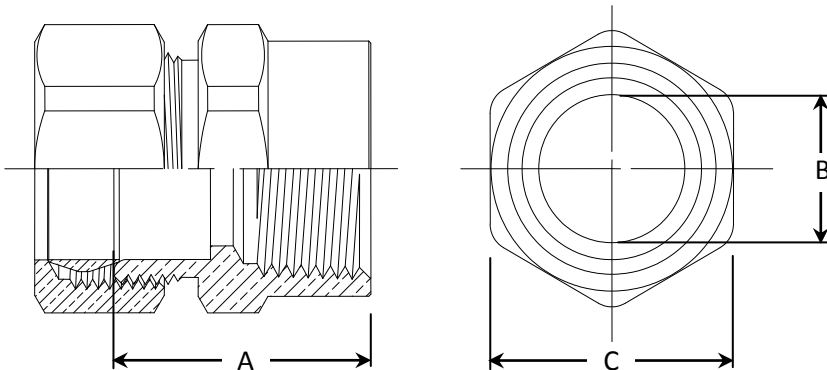
66 Series Compression x Female Iron Pipe Adapters

Standard Fitting Part Listing (con't):

- 66-4-4 B 1/4" OD Tube x 1/4" F.I.P., bulk
- 66-4-4-1 B 1/4" OD Tube x 1/4" F.I.P.- body only, bulk
- 66-6-6 3/8" OD Tube x 3/8" F.I.P.
- 66-6-6 B 3/8" OD Tube x 3/8" F.I.P., bulk
- 66-6-6 C 3/8" OD Tube x 3/8" F.I.P., chrome plated, bulk
- 66-6-6-1 B 3/8" OD Tube x 3/8" F.I.P. - body only, bulk
- 66-8-8 1/2" OD Tube x 1/2" F.I.P.
- 66-8-8 B 1/2" OD Tube x 1/2" F.I.P., bulk
- 66-8-8 C 1/2" OD Tube x 1/2" F.I.P., chrome plated
- 66-8-8-1 B 1/2" OD Tube x 1/2" F.I.P. - body only, bulk
- 66-12-12 3/4" OD Tube x 3/4" F.I.P.
- 66-12-12-1 B 3/4" OD Tube x 3/4" F.I.P. - body only, bulk

Compliant Part Listing:

- 66-4-4X 1/4" OD Tube x 1/4" F.I.P.
- 66-4-4-1X B 1/4" OD Tube x 1/4" F.I.P.- body only, bulk
- 66-6-6X 3/8" OD Tube x 3/8" F.I.P.
- 66-6-6-1X B 3/8" OD Tube x 3/8" F.I.P. - body only, bulk



Listings & Certifications:

- Compliant product CSA approved to California Health & Safety Code 116875 and Vermont Bill S.152 (Project # 2174785)



PART DIMENSIONS (Inches)			
Model	DIM. A	DIA. B	HEX. C
66-2-2	0.75	0.091	1/2
66-4-4	0.94	0.187	5/8
66-6-6	0.91	0.312	3/4
66-8-8	1.00	0.437	7/8
66-12-12	1.45	0.75	1-1/4

This specification and all information contained herein is the confidential and exclusive property of BrassCraft Manufacturing, and shall not be disclosed to others without the written consent of BrassCraft. This specification must be returned to BrassCraft if requested.

BrassCraft®