

For Residential and Commercial Applications

Job Name		Engineer / Architect	
Job Location		Wholesaler	
Submittal Date		Contractor	

64 Series Compression Reducing Tees

Use: For use with instrumentation, hydraulic and pneumatic systems. Designed for use with aluminum, copper and plastic tubing. Not intended for use with steel tubing

* Plastic tubing requires a plastic insert and sleeve (see 60PT & 63PT submittal forms for details)

Design Features:

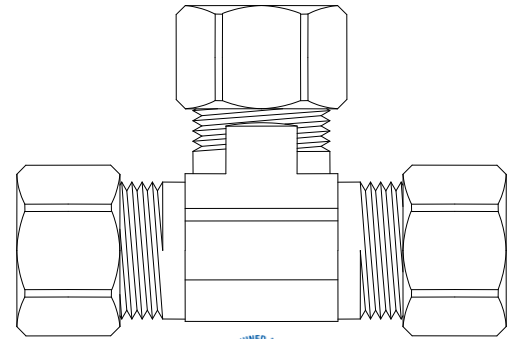
- **Little to no tube preparation.** Compression fittings do not require flaring, soldering or other types of tube preparation
- **Available in a broad range of sizes**

Operating Specifications:

Temperature: -65° - 250°F at maximum operating pressures

Working Pressure: See chart below

Vibration: Fair vibration resistance



WORKING PRESSURE		
PSI	Tube O.D.	Tube Wall (Inches)
400	1/8	0.030
400	3/16	0.030
300	1/4	0.030
300	5/16	0.032
200	3/8	0.032
200	1/2	0.032
150	5/8	0.035
100	3/4	0.035
75	7/8	0.035

MATERIAL SPECIFICATIONS	
Forged Body	C37700 brass
Compression Sleeve	C36000 brass
Compression Nut	C36000 brass

Part Listing:

- 64-4-4-6 1/4" OD Compression x 1/4" OD Compression x 3/8" OD Compression
- 64-6-6-4 3/8" OD Compression x 3/8" OD Compression x 1/4" OD Compression
- 64-6-6-4 B 3/8" OD Compression x 3/8" OD Compression x 1/4" OD Compression, bulk
- 64-6-6-4-1 B 3/8" OD Compression x 3/8" OD Compression x 1/4" OD Compression, body only, bulk
- 64-8-8-6 1/2" OD Compression x 1/2" OD Compression x 3/8" OD Compression

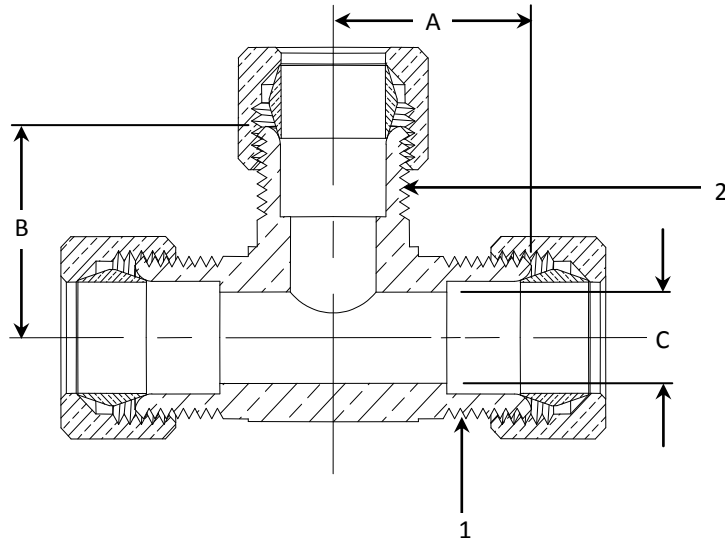
This specification and all information contained herein is the confidential and exclusive property of BrassCraft Manufacturing, and shall not be disclosed to others without the written consent of BrassCraft. This specification must be returned to BrassCraft if requested.



64 Series Compression Reducing Tees

Part Listing (con't):

- 64-10-10-6 5/8" OD Compression x 5/8" OD Compression x 3/8" OD Compression
- 64-10-10-8 5/8" OD Compression x 5/8" OD Compression x 1/2" OD Compression
- 64-14-14-10 B 7/8" OD Compression x 7/8" OD Compression x 5/8" OD Compression, bulk



PART DIMENSIONS (Inches)					
Model	Straight Thread (1)	Straight Thread (2)	DIM. A	DIM. B	DIA. C
64-4-4-6	7/16-24	9/16-24	.69	.74	.18
64-6-6-4	9/16-24	7/16-24	.73	.62	.19
64-8-8-6	11/16-20	9/16-24	.94	.75	.31
64-10-10-6	13/16-18	9/16-24	1.06	.94	.50
64-10-10-8	13/16-18	11/16-20	1.07	1.07	.50
64-14-14-10	1-1/8-18	13/16-18	1.25	1.16	.75

This specification and all information contained herein is the confidential and exclusive property of BrassCraft Manufacturing, and shall not be disclosed to others without the written consent of BrassCraft. This specification must be returned to BrassCraft if requested.

BrassCraft[®]