

For Residential and Commercial Applications

Job Name		Engineer / Architect	
Job Location		Wholesaler	
Submittal Date		Contractor	

62 Series Compression x Compression Unions

Use: For use with potable and non-potable water, instrumentation, hydraulic, and pneumatic systems. Designed for use with aluminum, copper, and plastic tubing*. Not intended for use with steel tubing.

* Plastic tubing requires a plastic insert and sleeve (see 60PT & 63PT submittal forms for details)

Design Features:

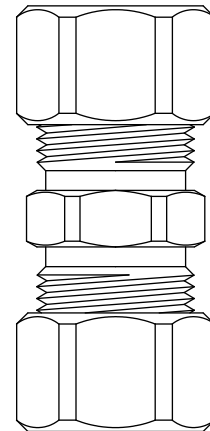
- **Little to no tube preparation.** Compression fittings do not require flaring, soldering, or other types of tube preparation
- **Available in a broad range of sizes**
- **No-lead available**

Operating Specifications:

Temperature: -65° - 250° F at maximum operating pressures

Working Pressure: See chart below

Vibration: Fair vibration resistance



WORKING PRESSURE		
PSI	Tube OD	Tube Wall (Inches)
400	1/8	0.030
400	3/16	0.030
300	1/4	0.030
300	5/16	0.032
200	3/8	0.032
200	1/2	0.032
150	5/8	0.035
100	3/4	0.035
75	7/8	0.035

Standard Product

MATERIAL SPECIFICATIONS	
Body	Brass
Compression Sleeve	Brass
Compression Nut	Brass
Option	Chrome plating

This specification and all information contained herein is the confidential and exclusive property of BrassCraft Manufacturing, and shall not be disclosed to others without the written consent of BrassCraft Mfg. This specification must be returned to BrassCraft Mfg. if requested.



62 Series Compression x Compression Unions

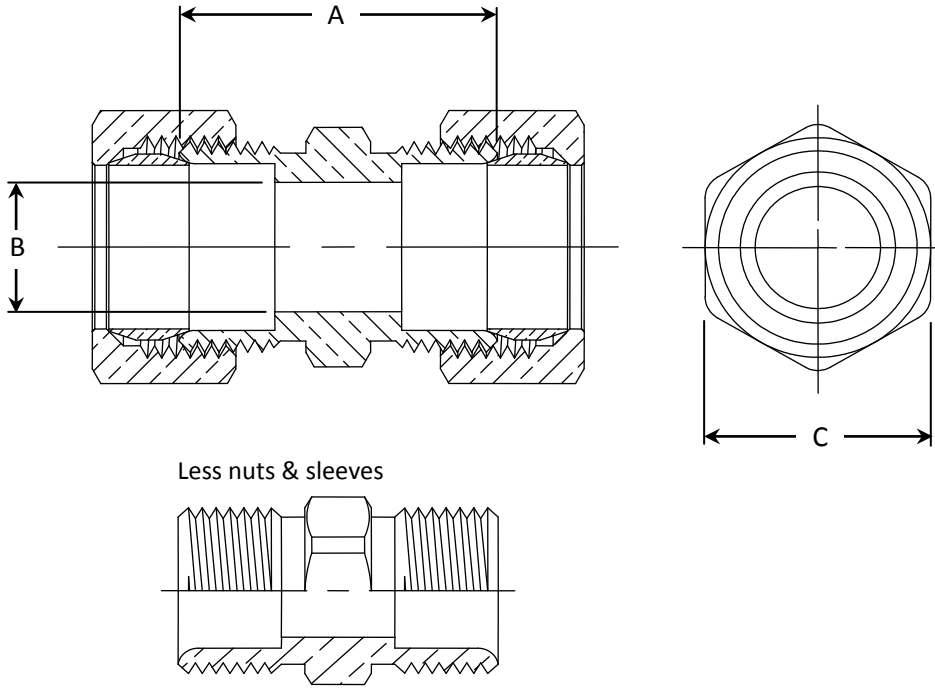
Standard Part Listing:

<input type="checkbox"/>	62-2	1/8" OD tube, both ends
<input type="checkbox"/>	62-2 B	1/8" OD tube, both ends, bulk
<input type="checkbox"/>	62-2-1 B	1/8" OD tube, both ends - body only, bulk
<input type="checkbox"/>	62-3	3/16" OD tube, both ends
<input type="checkbox"/>	62-3 B	3/16" OD tube, both ends, bulk
<input type="checkbox"/>	62-3-1 B	3/16" OD tube, both ends - body only, bulk
<input type="checkbox"/>	62-4	1/4" OD tube, both ends
<input type="checkbox"/>	62-4 B	1/4" OD tube, both ends, bulk
<input type="checkbox"/>	62-4-1 B	1/4" OD tube, both ends - body only, bulk
<input type="checkbox"/>	62-4-1 CB	1/4" OD tube, both ends - body only, chrome plated, bulk
<input type="checkbox"/>	62-5	5/16" OD tube, both ends
<input type="checkbox"/>	62-5 B	5/16" OD tube, both ends, bulk
<input type="checkbox"/>	62-5-1 B	5/16" OD tube, both ends - body only, bulk
<input type="checkbox"/>	62-6	3/8" OD tube, both ends
<input type="checkbox"/>	62-6 B	3/8" OD tube, both ends, bulk
<input type="checkbox"/>	62-6 C	3/8" OD tube, both ends, chrome plated
<input type="checkbox"/>	62-6 CB	3/8" OD tube, both ends, chrome plated, bulk
<input type="checkbox"/>	62-6-1 B	3/8" OD tube, both ends - body only, bulk
<input type="checkbox"/>	62-6-1 CB	3/8" OD tube, both ends - body only, chrome plated, bulk
<input type="checkbox"/>	62-7	7/16" OD tube, both ends
<input type="checkbox"/>	62-7 B	7/16" OD tube, both ends, bulk
<input type="checkbox"/>	62-8	1/2" OD tube, both ends
<input type="checkbox"/>	62-8 B	1/2" OD tube, both ends, bulk
<input type="checkbox"/>	62-8 C	1/2" OD tube, both ends, chrome plated
<input type="checkbox"/>	62-8-1 B	1/2" OD tube, both ends - body only, bulk
<input type="checkbox"/>	62-8-1 CB	1/2" OD tube, both ends - body only, chrome plated, bulk
<input type="checkbox"/>	62-10	5/8" OD tube, both ends
<input type="checkbox"/>	62-10 B	5/8" OD tube, both ends, bulk
<input type="checkbox"/>	62-10 C	5/8" OD tube, both ends, chrome plated
<input type="checkbox"/>	62-10-1 B	5/8" OD tube, both ends - body only, bulk
<input type="checkbox"/>	62-12	3/4" OD tube, both ends
<input type="checkbox"/>	62-12 B	3/4" OD tube, both ends, bulk
<input type="checkbox"/>	62-12-1 B	3/4" OD tube, both ends - body only, bulk
<input type="checkbox"/>	62-14	7/8" OD tube, both ends
<input type="checkbox"/>	62-14 B	7/8" OD tube, both ends, bulk
<input type="checkbox"/>	62-14-1 B	7/8" OD tube, both ends - body only, bulk

This specification and all information contained herein is the confidential and exclusive property of BrassCraft Manufacturing, and shall not be disclosed to others without the written consent of BrassCraft Mfg. This specification must be returned to BrassCraft Mfg. if requested.

BrassCraft[®]

62 Series Compression x Compression Unions



Less nuts & sleeves

PART DIMENSIONS (Inches)			
Model	DIM. A	DIA. B	HEX. C
62-2	0.64	0.940	5/16
62-3	0.75	0.125	3/8
62-4	0.78	0.125	7/16
62-5	0.87	0.252	1/2
62-6	0.96	0.314	9/16

PART DIMENSIONS (Inches)			
Model	DIM. A	DIA. B	HEX. C
62-7	1.02	0.312	5/8
62-8	1.09	0.408	11/16
62-10	1.25	0.531	13/16
62-12	1.40	0.562	1
62-14	1.14	0.750	1-1/8

This specification and all information contained herein is the confidential and exclusive property of BrassCraft Manufacturing, and shall not be disclosed to others without the written consent of BrassCraft Mfg. This specification must be returned to BrassCraft Mfg. if requested.

BrassCraft[®]