

For Residential and Commercial Applications

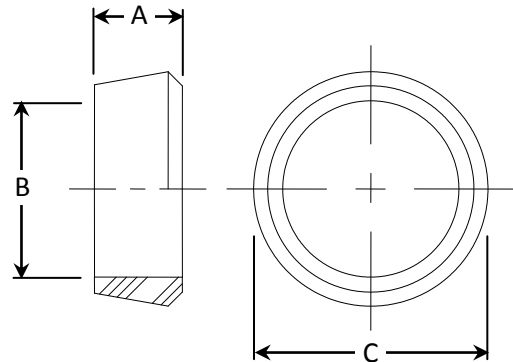
Job Name		Engineer / Architect	
Job Location		Wholesaler	
Submittal Date		Contractor	

60PT Series Plastic Compression Sleeves

Use: For use with PEX, vinyl and polyethylene tubing in potable water distribution systems. Not intended for use with steel, copper or aluminum tubing

Operating Specifications:

Temperature: 40° - 180° F
Pressures: 125 psi maximum



MATERIAL SPECIFICATIONS	
Compression Sleeve	POM

PART DIMENSIONS (Inches)			
Model	DIM. A	DIA. B	DIA. C
60PT-4	.19	.237	.375
60PT-5	.19	.319	.437
60PT-6	.19	.376	.500

PART DIMENSIONS (Inches)			
Model	DIM. A	DIA. B	DIA. C
60PT-8	.25	.509	.625
60PT-10	.21	.630	.750

Part Listing:

- 60PT-4 For 1/4" OD Tube
- 60PT-4 BT For 1/4" OD Tube, bulk
- 60PT-4 K100 For 1/4" OD Tube, 100 per bag
- 60PT-5 For 5/16" OD Tube
- 60PT-5 BT For 5/16" OD Tube, bulk
- 60PT-6 For 3/8" OD Tube
- 60PT-6 BT For 3/8" OD Tube, bulk
- 60PT-8 For 1/2" OD Tube
- 60PT-8 BT For 1/2" OD Tube, bulk
- 60PT-8 K100 For 1/2" OD Tube, 100 per bag
- 60PT-10 For 5/8" OD Tube
- 60PT-10 BT For 5/8" OD Tube, bulk

This specification and all information contained herein is the confidential and exclusive property of BrassCraft Manufacturing, and shall not be disclosed to others without the written consent of BrassCraft. This specification must be returned to BrassCraft if requested.

