



**Model 508-32 *Bradex*<sup>®</sup>**

- Non-Controlled Delivery
- Single Roll (For Dual Roll see Model 523)

**Product Materials**

**BRACKETS:** die cast virgin zinc (Zamac) alloy; copper and nickel-plated with highly polished chrome finish.

**MOUNTING BRACKET:** heavy plated steel.

**SPINDLE:** chrome-plated plastic.

**Capacity**

One standard core toilet tissue roll through 4½" in diameter.

**Operation**

Concealed spring permits spindle to telescope for servicing. Spindle turns freely for non-controlled delivery.

**Installation**

Verify all rough-in dimensions prior to installation. Secure concealed mounting brackets to wall with screws (included). Slip support arms over brackets and secure with concealed set screws.

**Optional Features**

Feature	Suffix
<input type="checkbox"/> Plastic Roller — Light Gray	-51
<input type="checkbox"/> Anti-theft spindle	-52

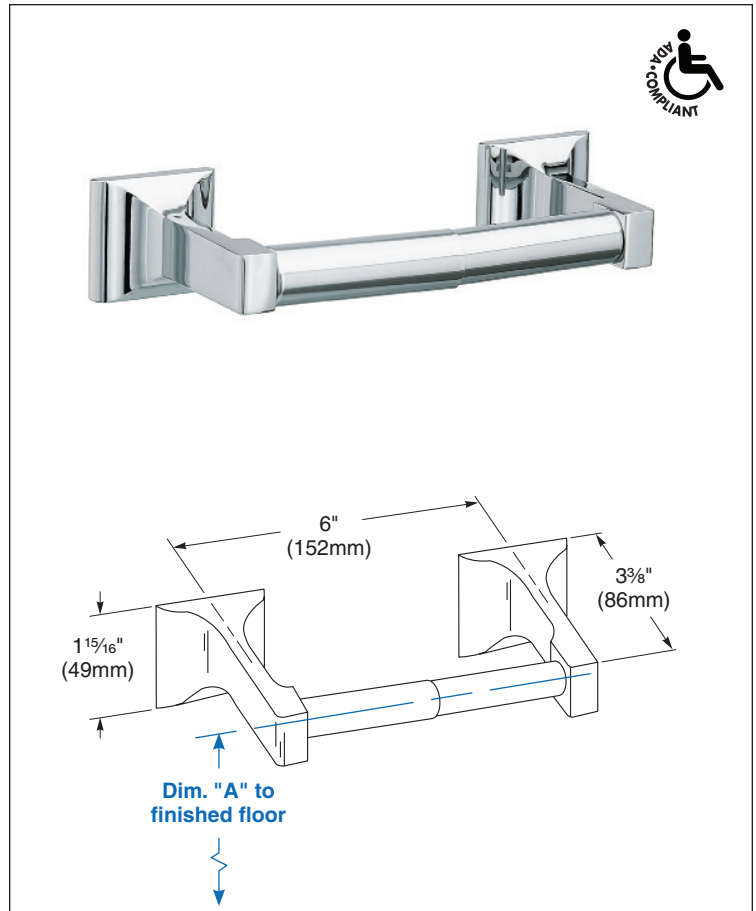
**Guide Specification**

Surface-mounted single roll toilet tissue dispenser shall be chrome-plated die cast Zamac with separate wall mounting bracket and hold one standard core toilet tissue roll.

**Overall dimensions: 7¾"W x 1<sup>15</sup>/<sub>16</sub>"H x 3<sup>3</sup>/<sub>8</sub>"D.**

**ADA Compliant**

- Consult local and national accessibility codes for proper installation guidelines.
- Conformity and compliance to local and national codes is the responsibility of the installer.



Dim. "A" Key Surface:	For Dim. "A"	Top of Unit	Bottom of Unit
Centerline of spindle to finished floor (bottom edge of paper roll 3" below centerline of spindle)	23" (584mm)	23¾" (603mm)	21 <sup>13</sup> / <sub>16</sub> " (554mm)
	22" (559mm)	22¾" (578mm)	20 <sup>13</sup> / <sub>16</sub> " (529mm)
	21" (533mm)	21¾" (552mm)	19 <sup>13</sup> / <sub>16</sub> " (503mm)
	20" (508mm)	20¾" (527mm)	18 <sup>13</sup> / <sub>16</sub> " (478mm)
	19" (483mm)	19¾" (502mm)	17 <sup>13</sup> / <sub>16</sub> " (452mm)
	18" (457mm)	18¾" (476mm)	16 <sup>13</sup> / <sub>16</sub> " (427mm)
<b>Rough wall opening:</b>			
Surface Mount:	No rough opening, see overall dimensions		

Orders composed of products indicated as **Bradex**<sup>®</sup> will be available to ship in three days after receipt of order at the factory. There is no pricing penalty for this service from Bradley.